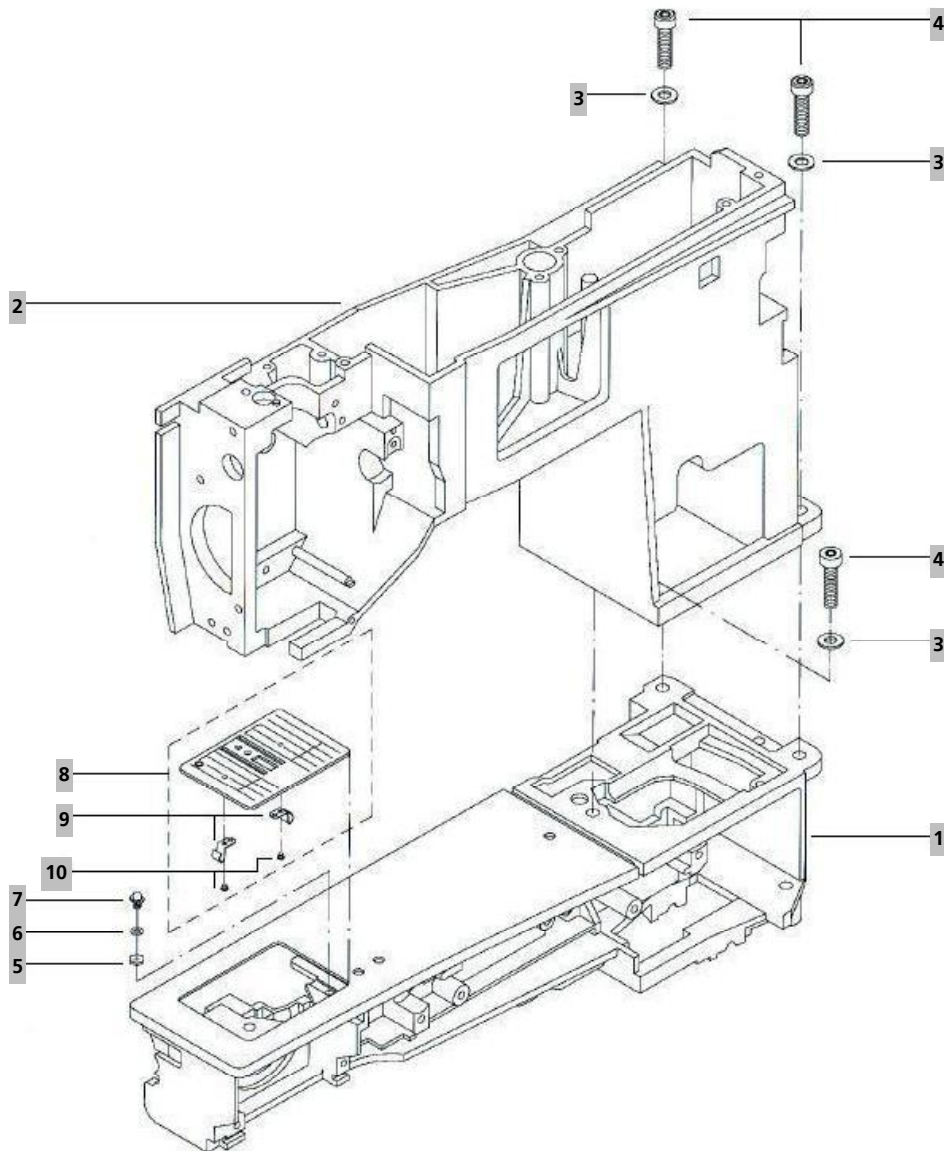


BERNINA®

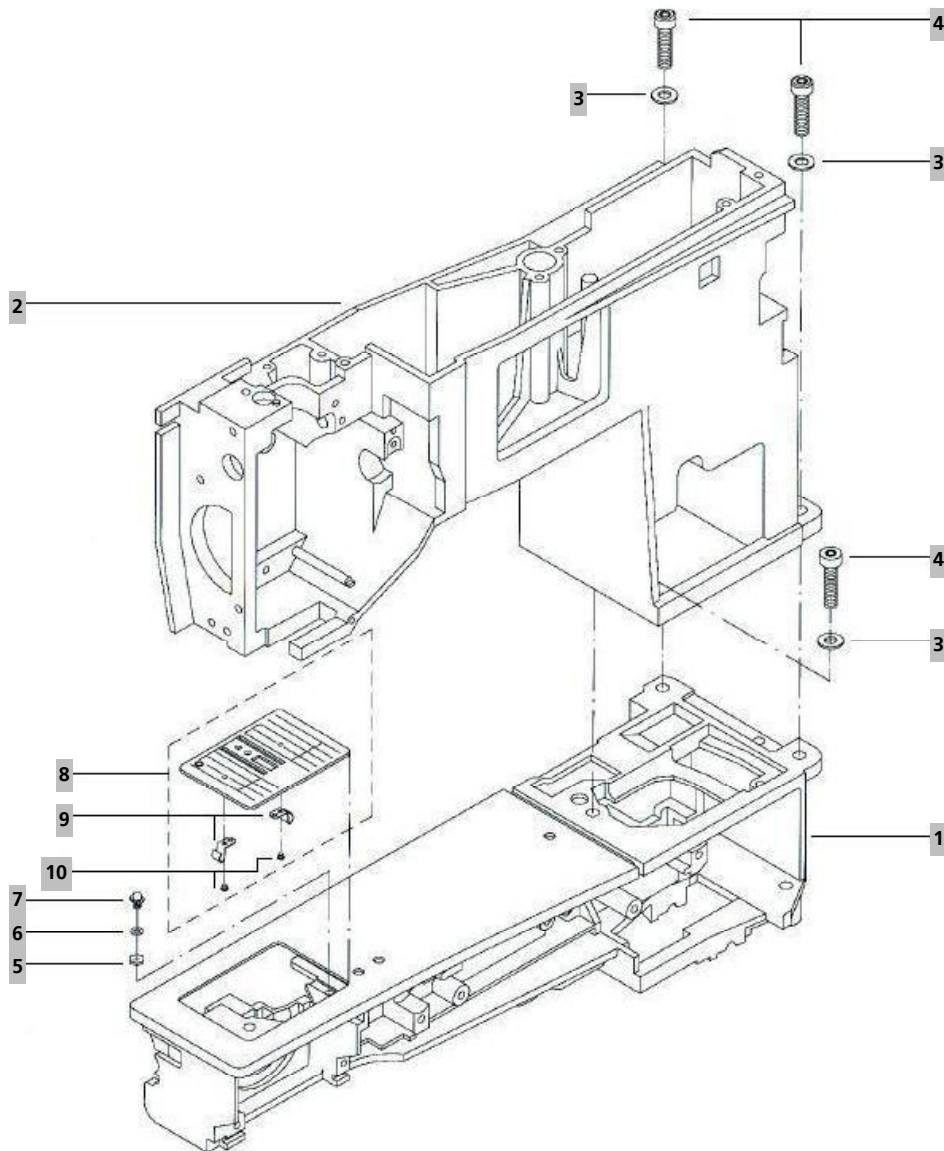


Ersatzteile Spare Parts Pièces Détachées

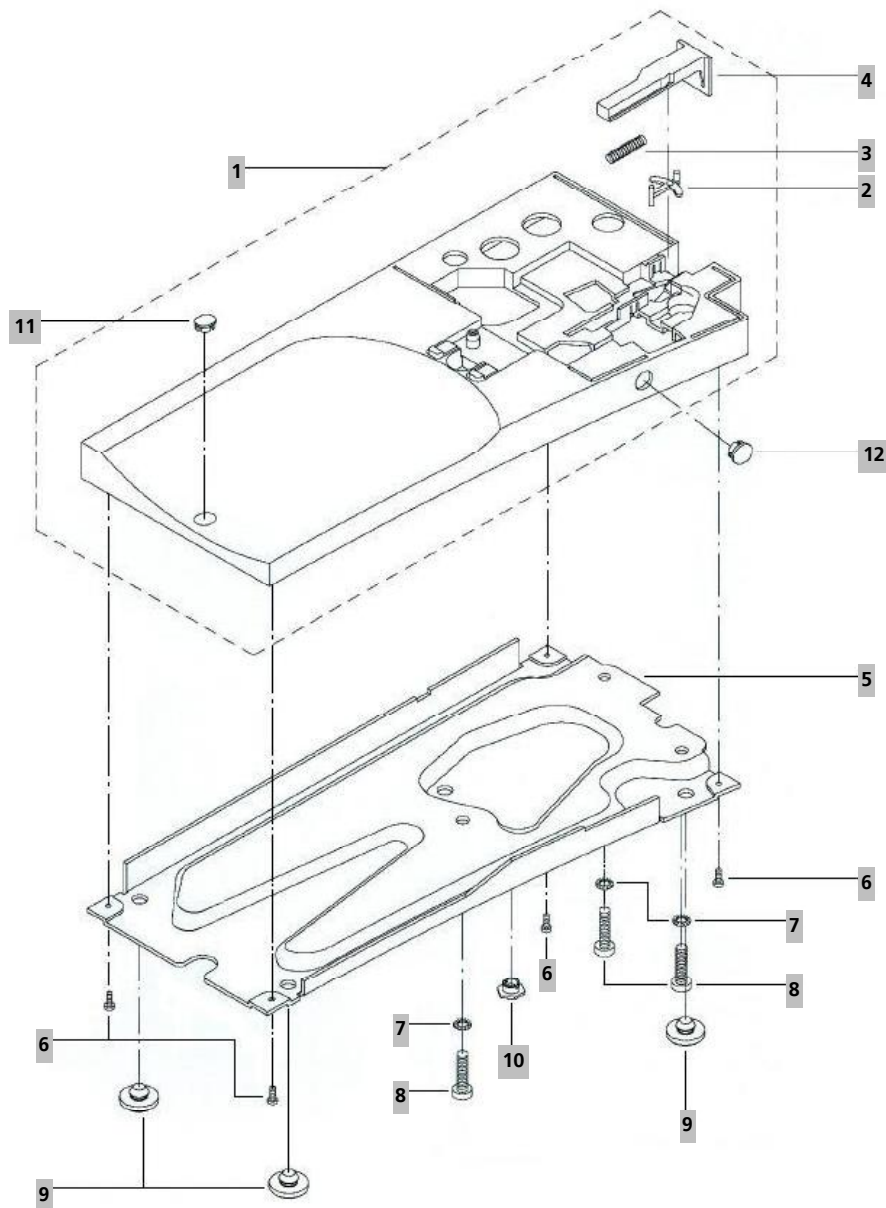
**activa 130
activa 140
virtuosa 150
virtuosa 160**



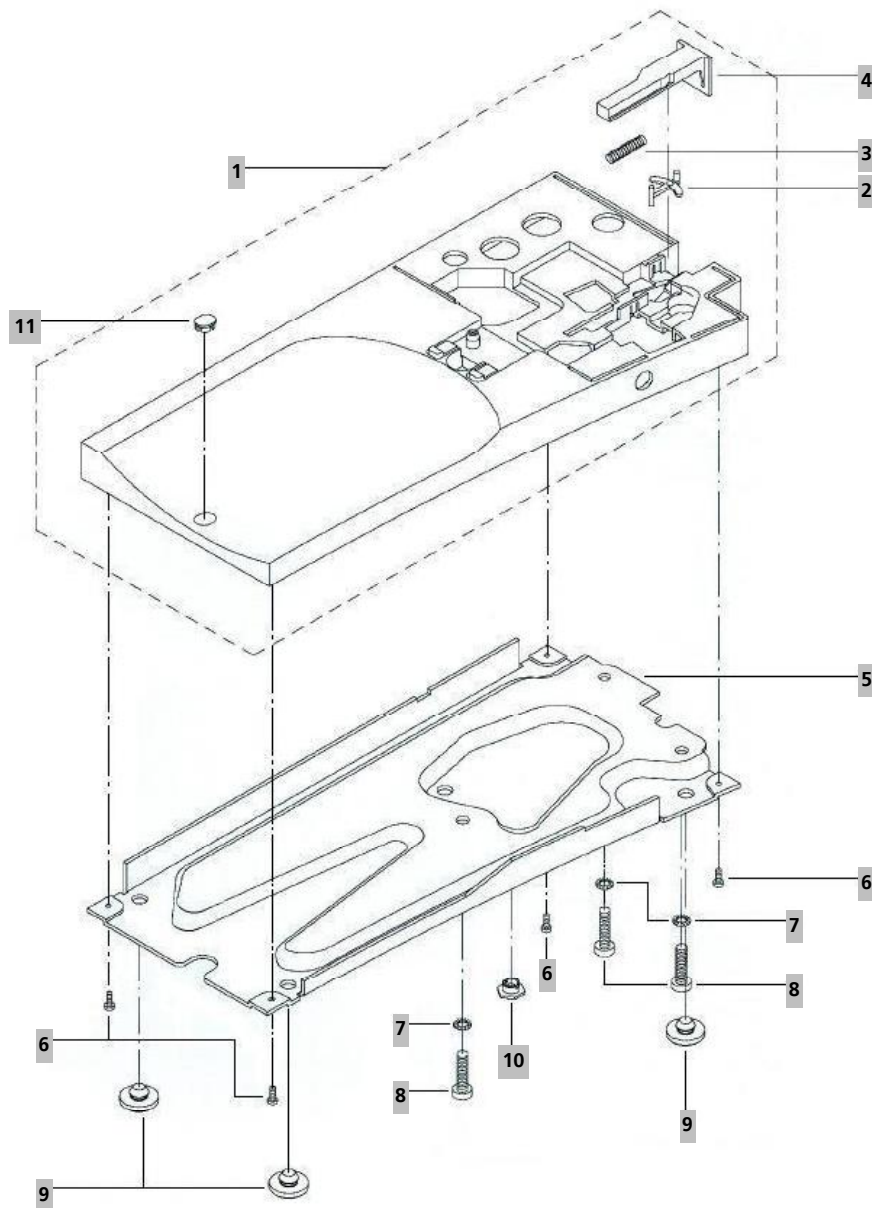
1	007941.53.00	2	007777.50.00	3	229593.13.++	4	007752.50.67	5	225023.13.++	6	232257.53.++
7	002604.52.00	8	007874.71.00	9	007875.52.00	10	205002.23.++				



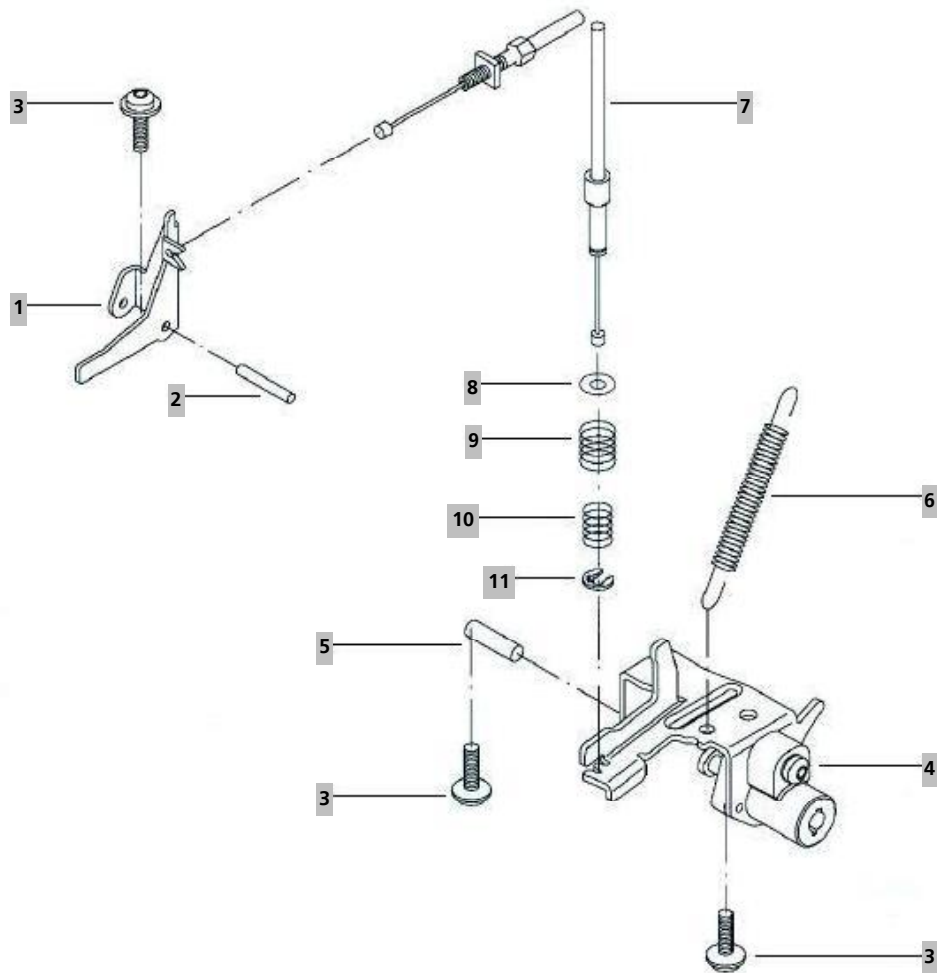
1 007941.53.00	2 008999.51.00	3 229593.13.++	4 007752.50.67	5 225023.13.++	6 232257.53.++
7 002604.52.00	8 007874.71.00	9 007875.52.00	10 205002.23.++		



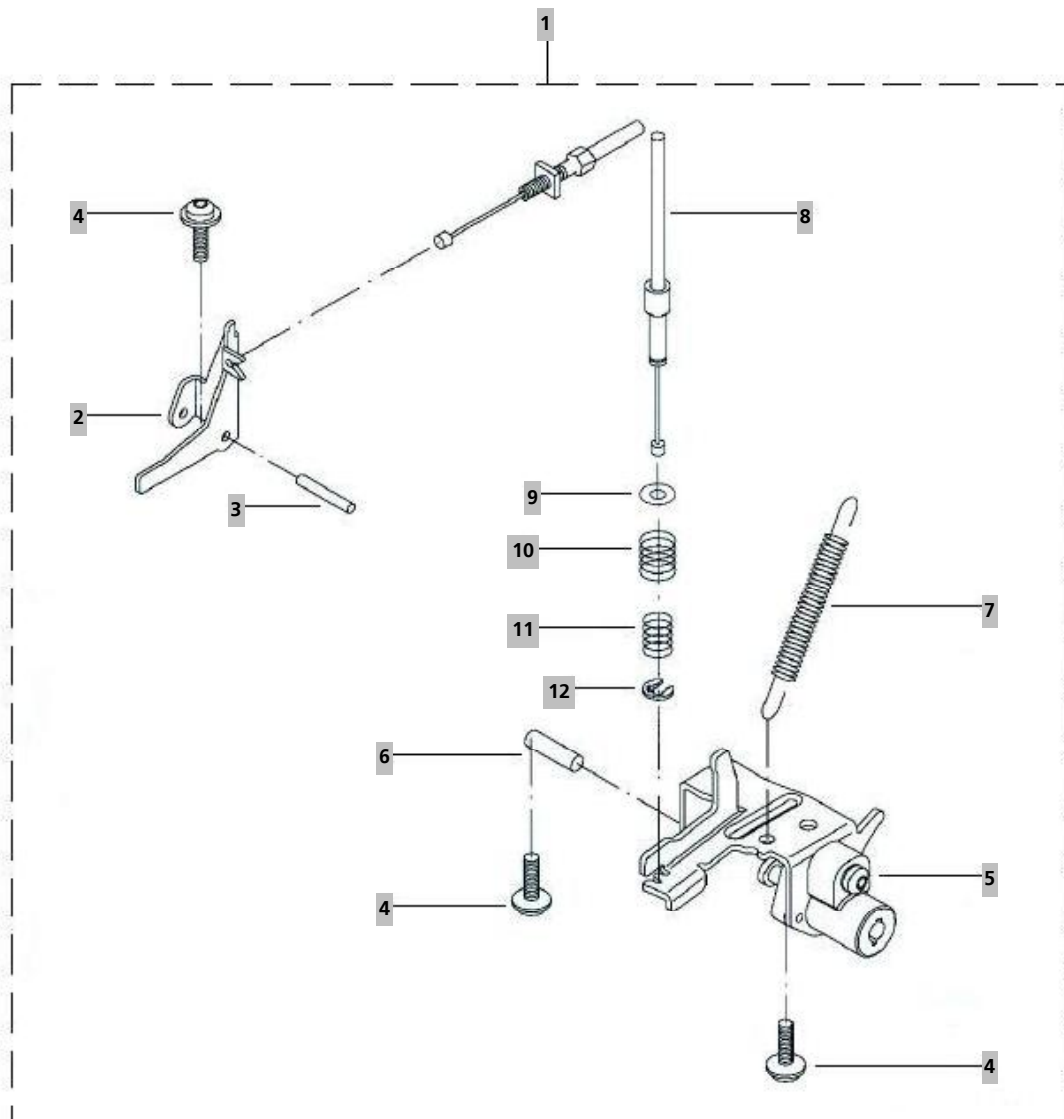
1	007876.71.00	2	007846.50.00	3	255005.03.++	4	008889.50.00	5	007894.72.00	6	002334.50.00
7	233510.53.++	8	007886.50.67	9	000344.50.00	10	000359.70.00	11	007916.50.00	12	007827.50.00



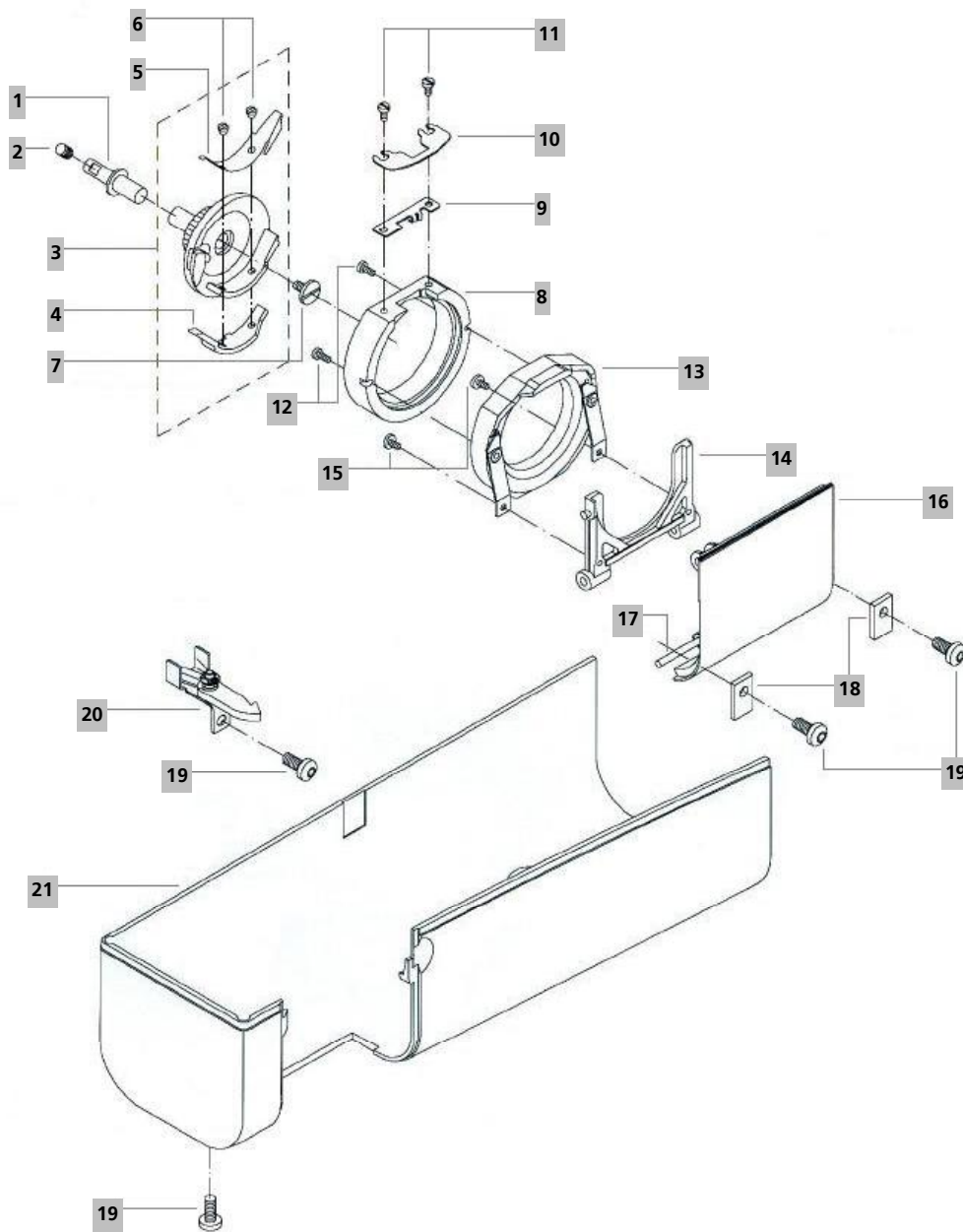
1	007876.71.00	2	007846.50.00	3	255005.03.++	4	008889.50.00	5	007894.72.00	6	002334.50.00
7	233510.53.++	8	007886.50.67	9	000344.50.00	10	000359.70.00	11	007916.50.00		



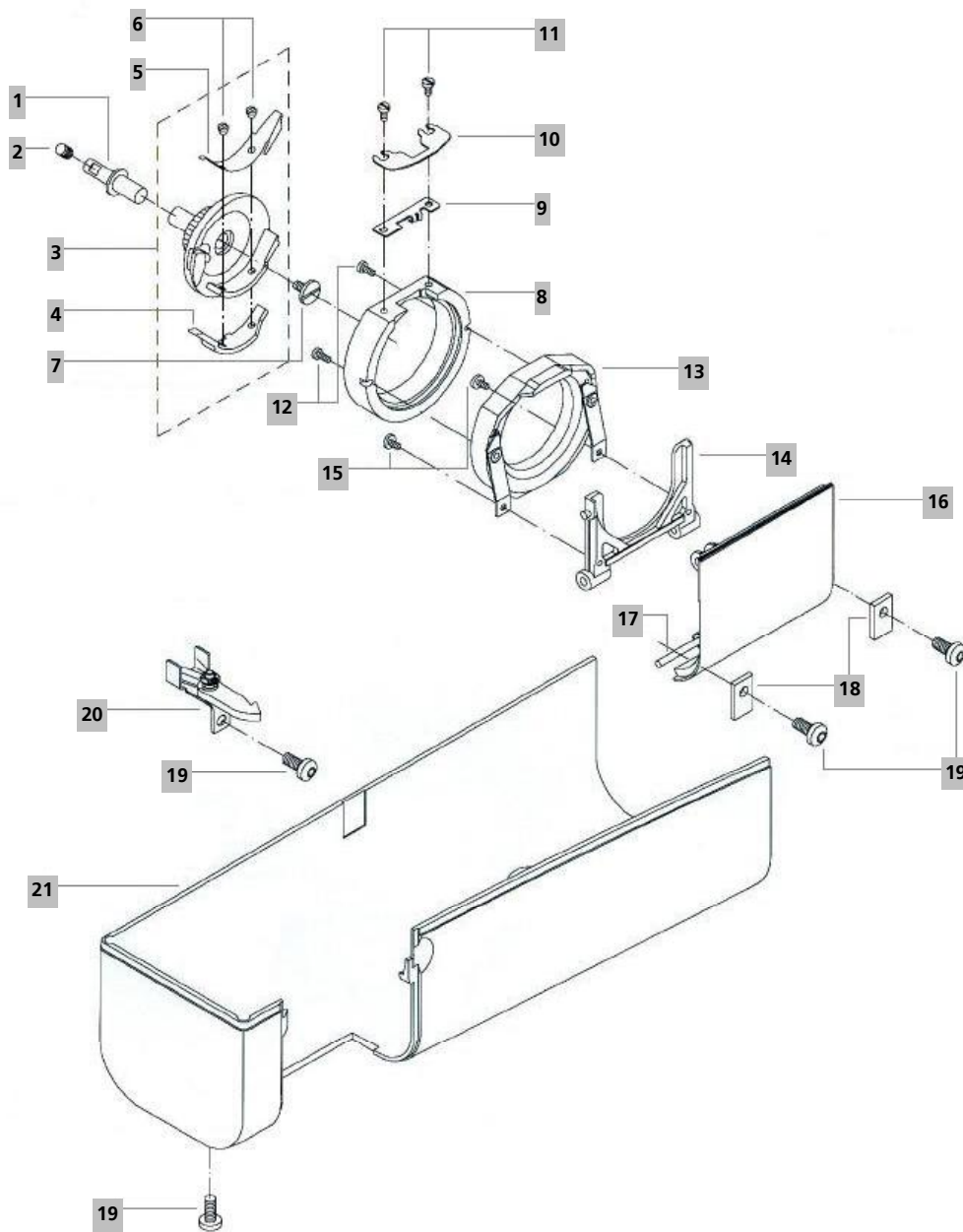
1 007759.51.00	2 241127.43.++	3 007888.50.43	4 007820.70.00	5 008225.50.03	6 007890.50.00
7 007853.50.00	8 229568.13.++	9 008789.51.00	10 008788.50.00	11 235014.53.++	



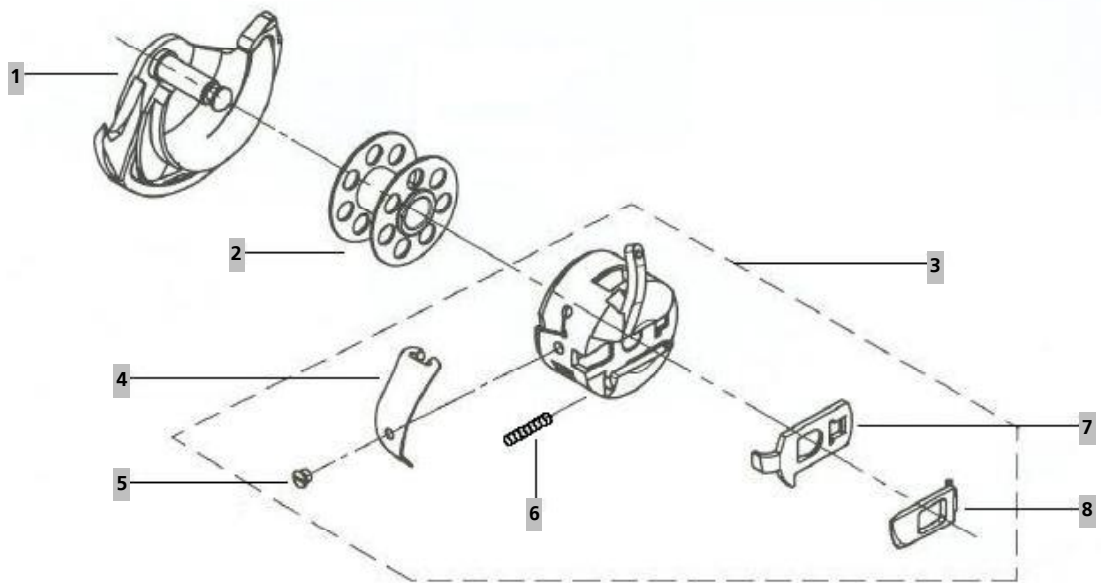
1	008610.71.00	2	007759.51.00	3	241127.43.++	4	007888.50.43	5	007820.70.00	6	008225.50.03
7	007890.50.00	8	007853.50.00	9	229568.13.++	10	008789.51.00	11	008788.50.00	12	235014.53.++



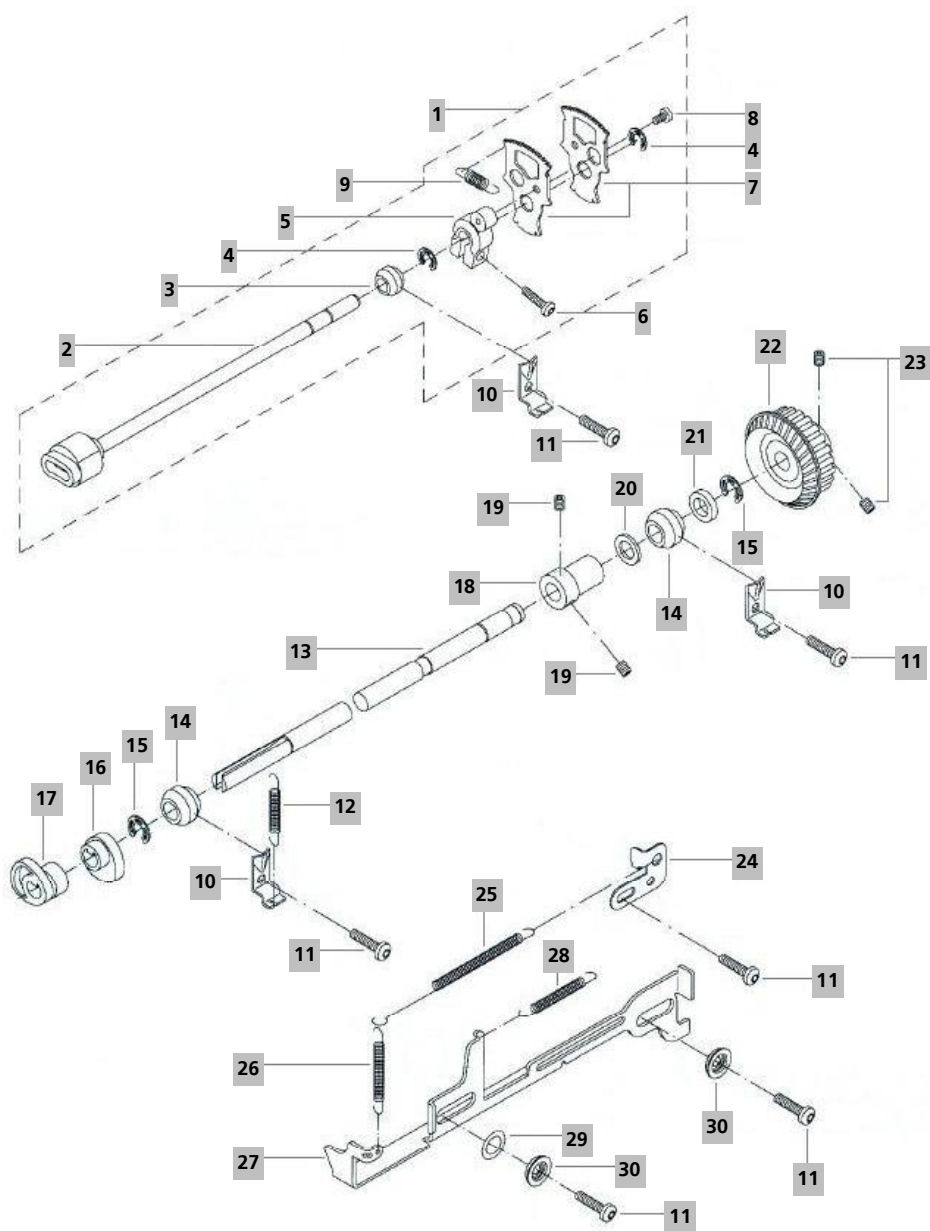
1	000070.50.00	2	007866.50.43	3	002653.73.00	4	002048.50.00	5	000732.51.00	6	215006.83.++
7	001720.52.00	8	003084.53.00	9	003163.51.00	10	006633.51.00	11	007752.50.20	12	007752.50.22
13	001538.72.00	14	001586.70.00	15	207002.53.++	16	007878.73.00	17	007879.51.00	18	001047.51.00
19	007886.50.43	20	007920.70.00	21	008957.50.00						



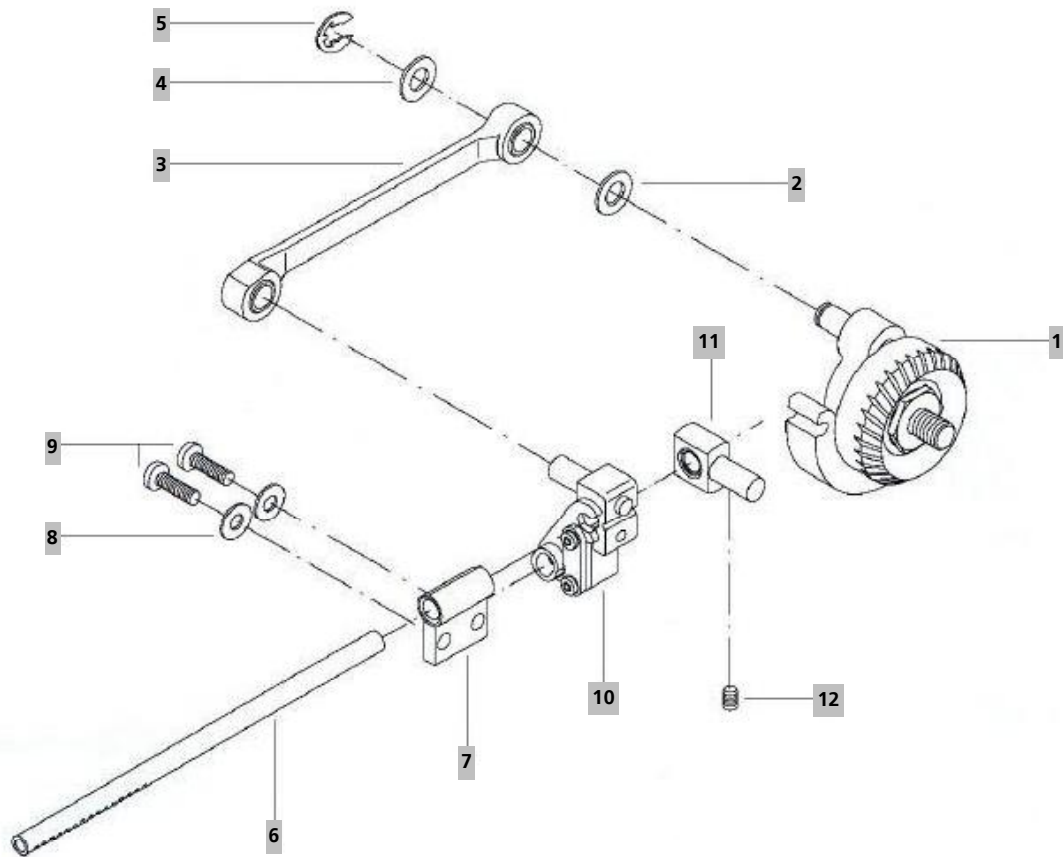
1 000070.50.00	2 007866.50.43	3 002653.73.00	4 002048.50.00	5 000732.51.00	6 215006.83.++
7 001720.52.00	8 003084.53.00	9 003163.51.00	10 006633.51.00	11 007752.50.20	12 007752.50.22
13 001538.72.00	14 001586.70.00	15 207002.53.++	16 007878.73.00	17 007879.51.00	18 001047.51.00
19 007886.50.43	20 007920.70.00	21 008957.50.00			



1 030206.52.00	2 001536.72.00	3 001534.75.00	4 317006.33.1+	5 317007.03.0+	6 255125.03.++
7 000568.51.00	8 000569.51.00				

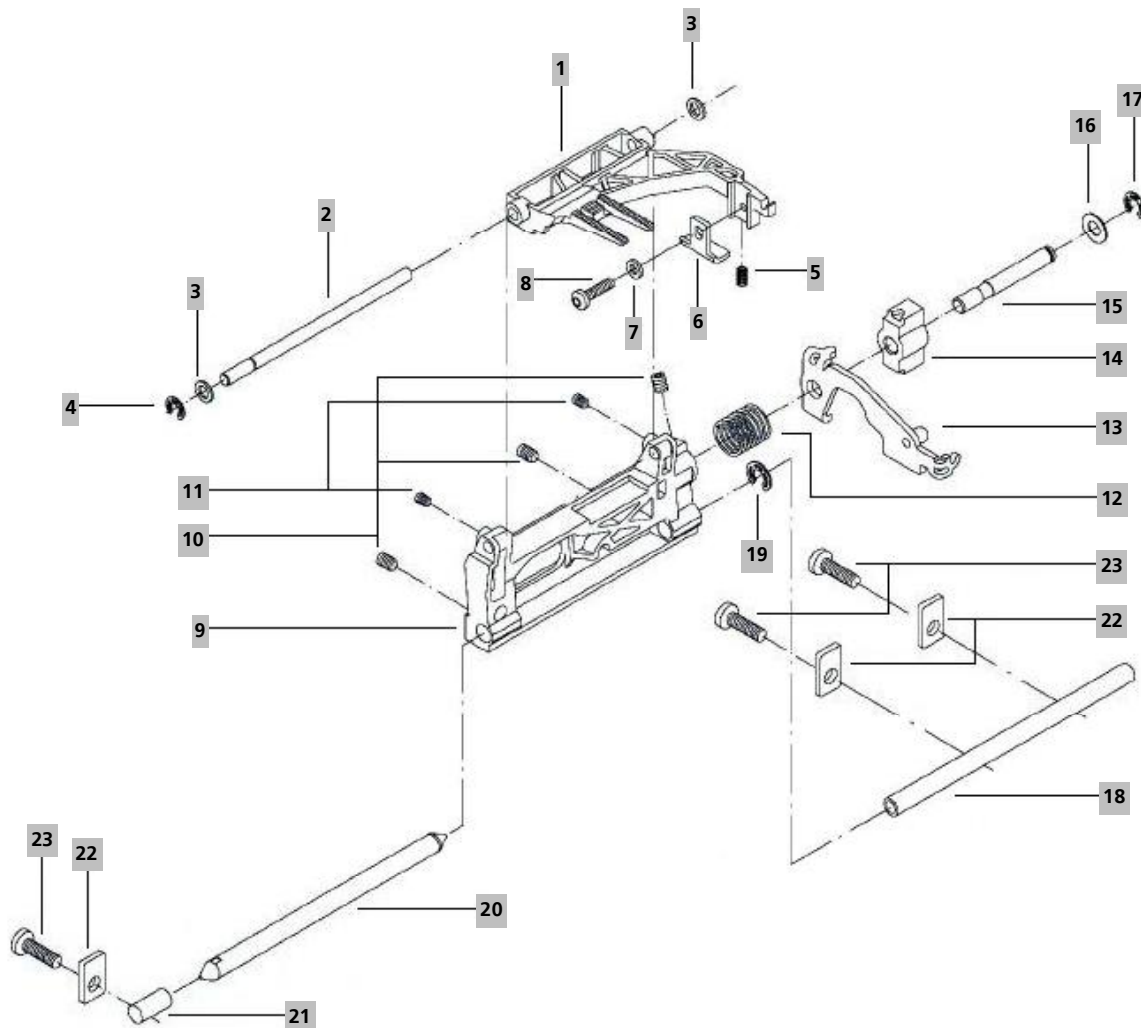


1	007836.70.00	2	007836.50.00	3	007823.50.01	4	235017.53.++	5	007803.51.00	6	007886.50.45
7	007802.50.00	8	007886.50.33	9	007844.50.00	10	007871.51.00	11	007886.50.43	12	007918.51.00
13	007832.50.00	14	007823.50.00	15	235020.53.++	16	007810.50.00	17	007811.50.00	18	000092.72.00
19	007866.50.41	20	229617.43.++	21	007887.50.01	22	008281.70.00	23	007868.50.72	24	007840.50.00
25	007843.50.00	26	256030.03.++	27	007839.52.00	28	256042.03.++	29	003073.50.00	30	003218.51.00

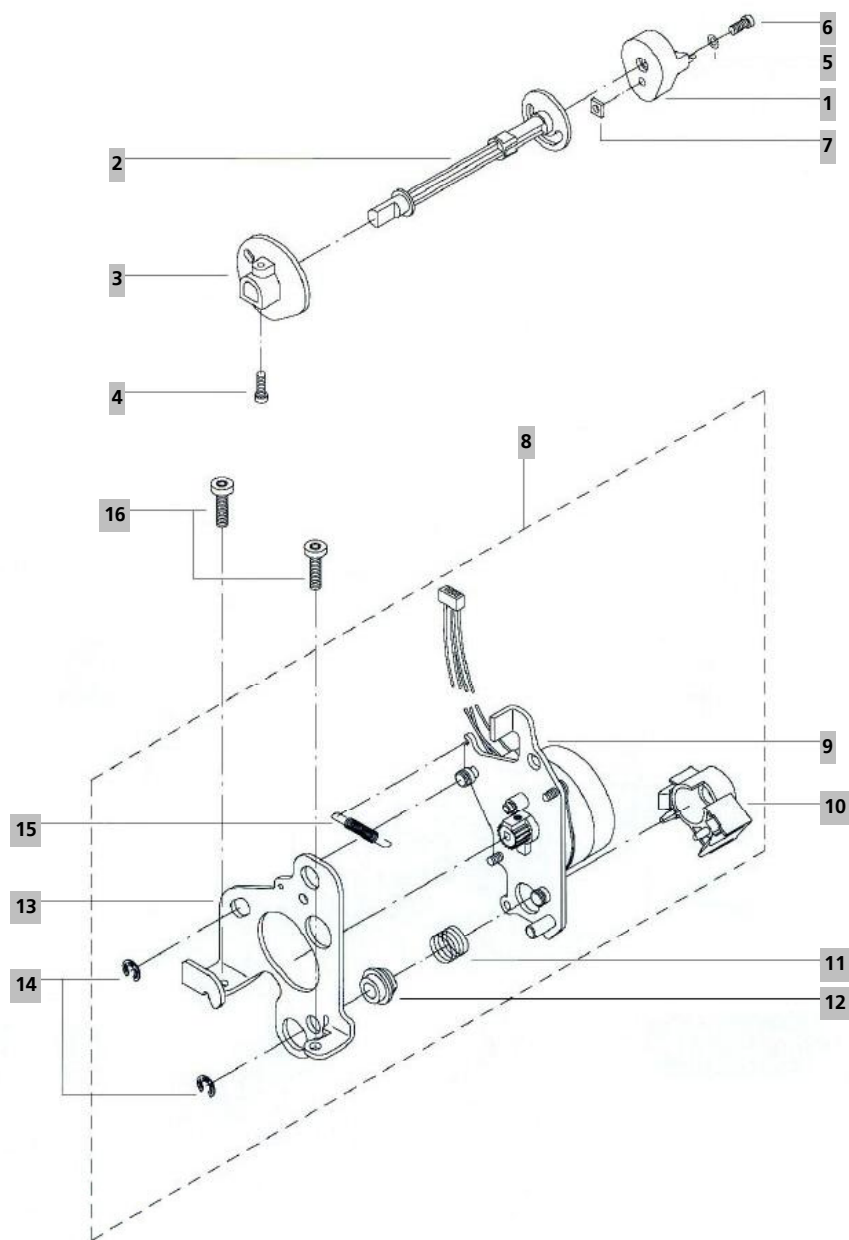


1	008281.70.00	2	232286.53.++	3	007845.71.00	4	231025.03.++	5	235017.53.++	6	007946.50.00
7	000066.50.00	8	229016.13.++	9	007886.50.44	10	000071.72.00	11	000120.70.00	12	007866.50.43

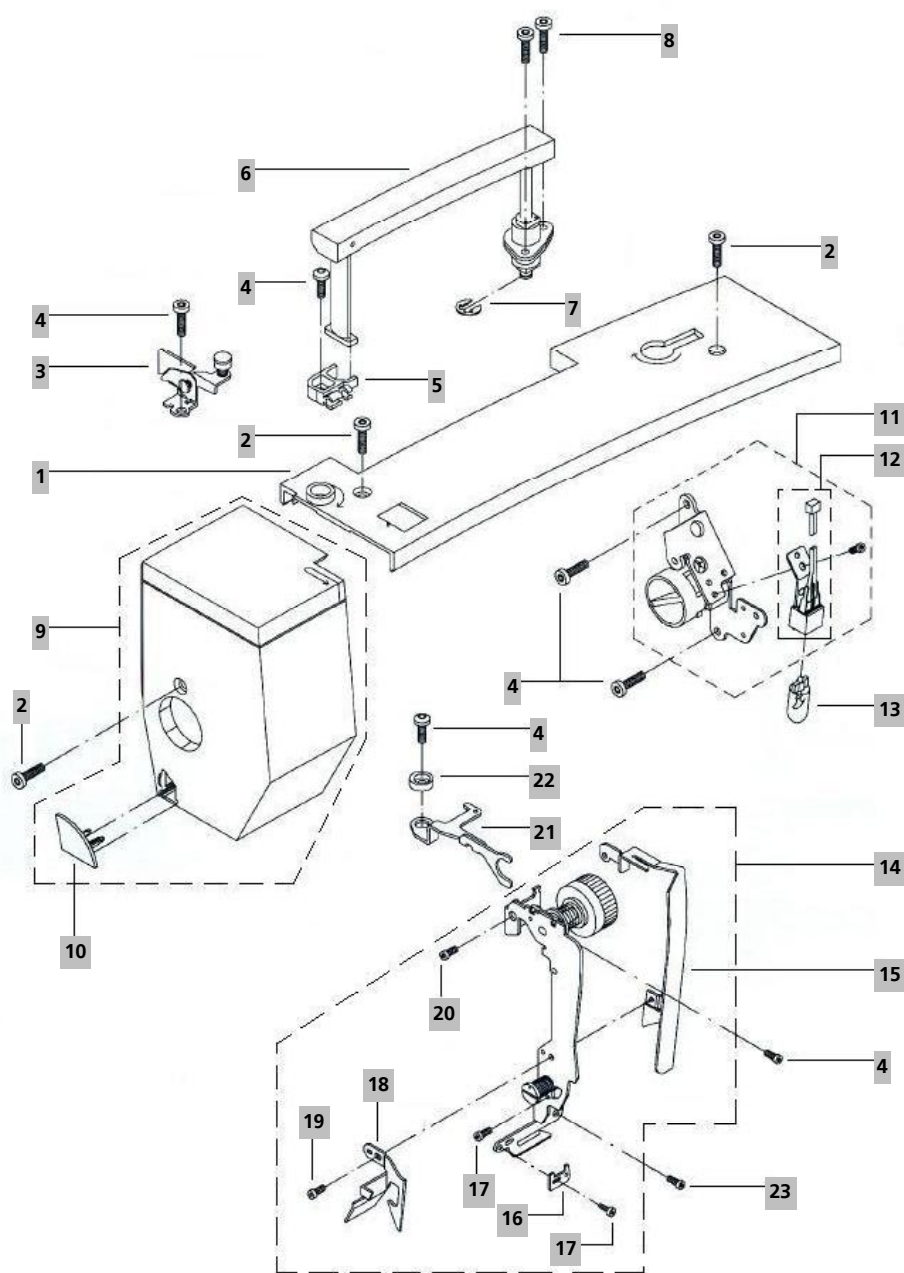
To take into consideration : Bernina Information Nr. 214
Nr. 218



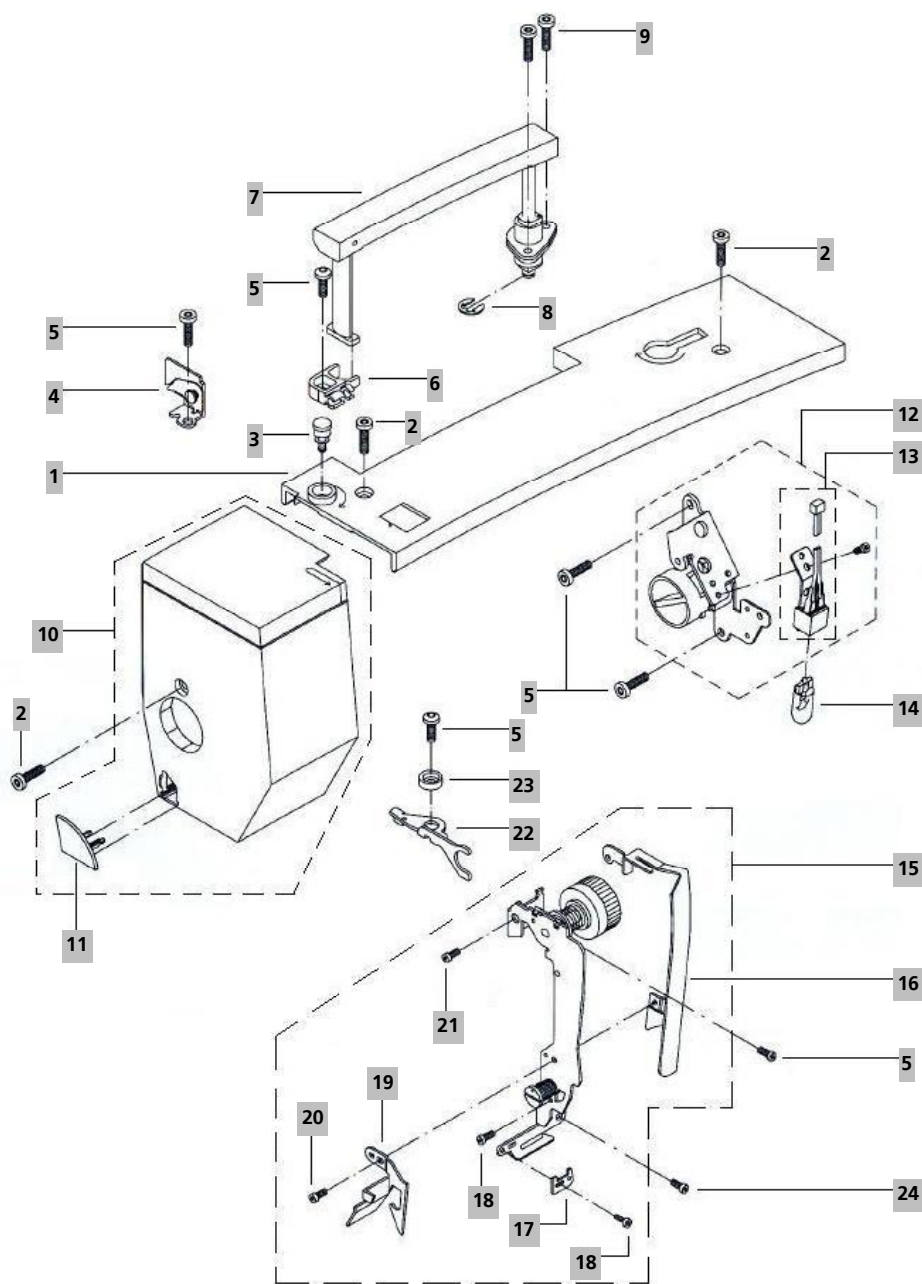
1 007830.52.00	2 007816.50.00	3 229549.83.++	4 235011.53.++	5 255240.03.++	6 000078.52.00
7 229521.13.++	8 007886.50.36	9 000024.54.00	10 007866.50.43	11 007866.50.31	12 007905.50.00
13 007804.70.00	14 007806.51.00	15 007807.50.00	16 231002.03.++	17 235014.53.++	18 007869.50.01
19 235017.53.++	20 007870.51.00	21 007869.51.00	22 001047.51.00	23 007886.50.43	



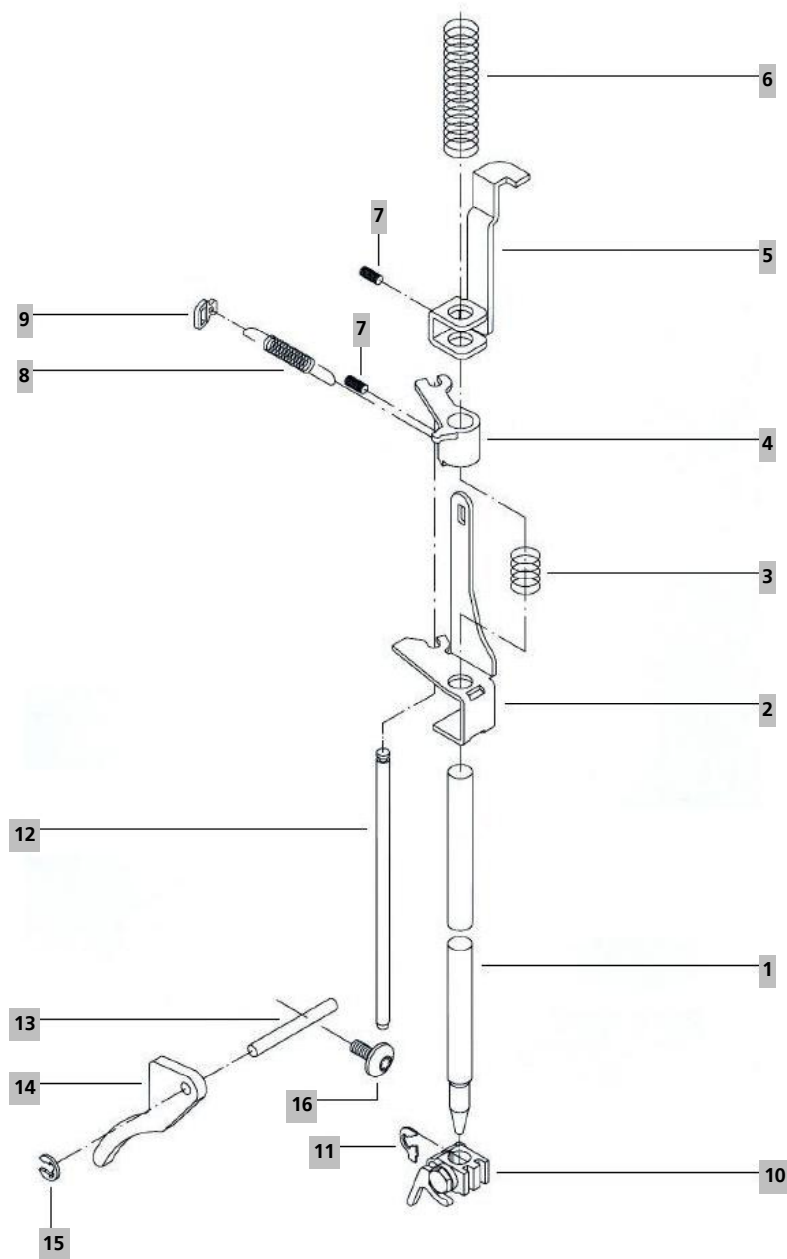
1 007831.51.00	2 007860.52.00	3 007828.51.00	4 002334.50.01	5 229519.23.++	6 007752.50.32
7 226836.23.++	8 007825.70.00	9 007882.70.00	10 007855.50.00	11 007856.50.00	12 007854.50.00
13 007825.71.01	14 235014.53.++	15 256292.03.++	16 007886.50.43		



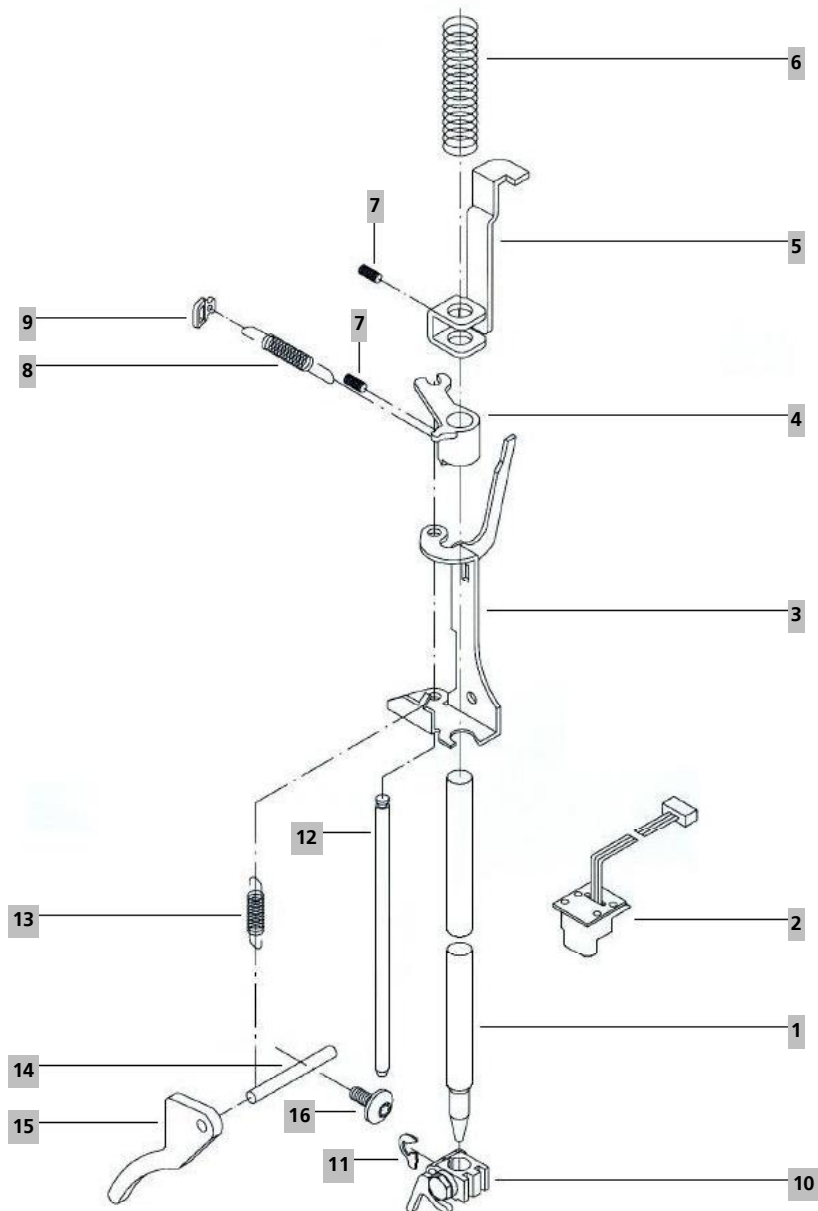
1 008236.53.00	2 007886.50.91	3 007958.72.00	4 007886.50.43	5 008231.51.00	6 008233.71.00
7 235014.53.++	8 007886.50.44	9 004822.70.01	10 007973.70.00	11 007575.70.00	12 007538.71.00
13 007535.50.00	14 007950.74.00	15 007950.53.00	16 008285.50.01	17 007886.50.33	18 007951.50.00
19 003246.51.10	20 003246.51.09	21 007758.50.00	22 007767.51.00	23 007886.50.45	



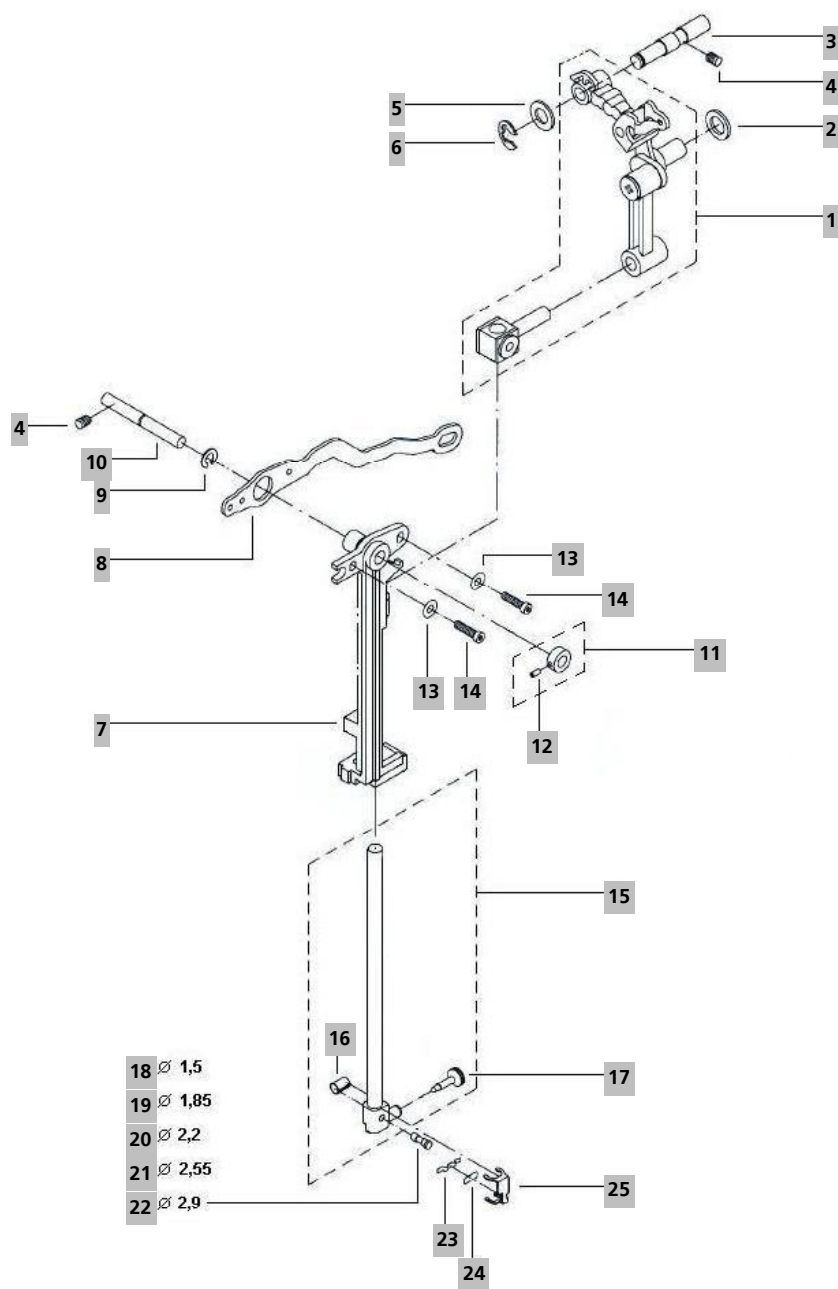
1	004850.50.01	2	007886.50.91	3	004849.72.00	4	004848.70.00	5	007886.50.43	6	008231.51.00
7	008233.71.00	8	235014.53.++	9	007886.50.44	10	004822.70.01	11	007973.70.00	12	007575.70.00
13	007538.71.00	14	007535.50.00	15	007950.74.00	16	007950.53.00	17	008285.50.01	18	007886.50.33
19	007951.50.00	20	003246.51.10	21	003246.51.09	22	008920.50.00	23	007767.51.00	24	007886.50.45



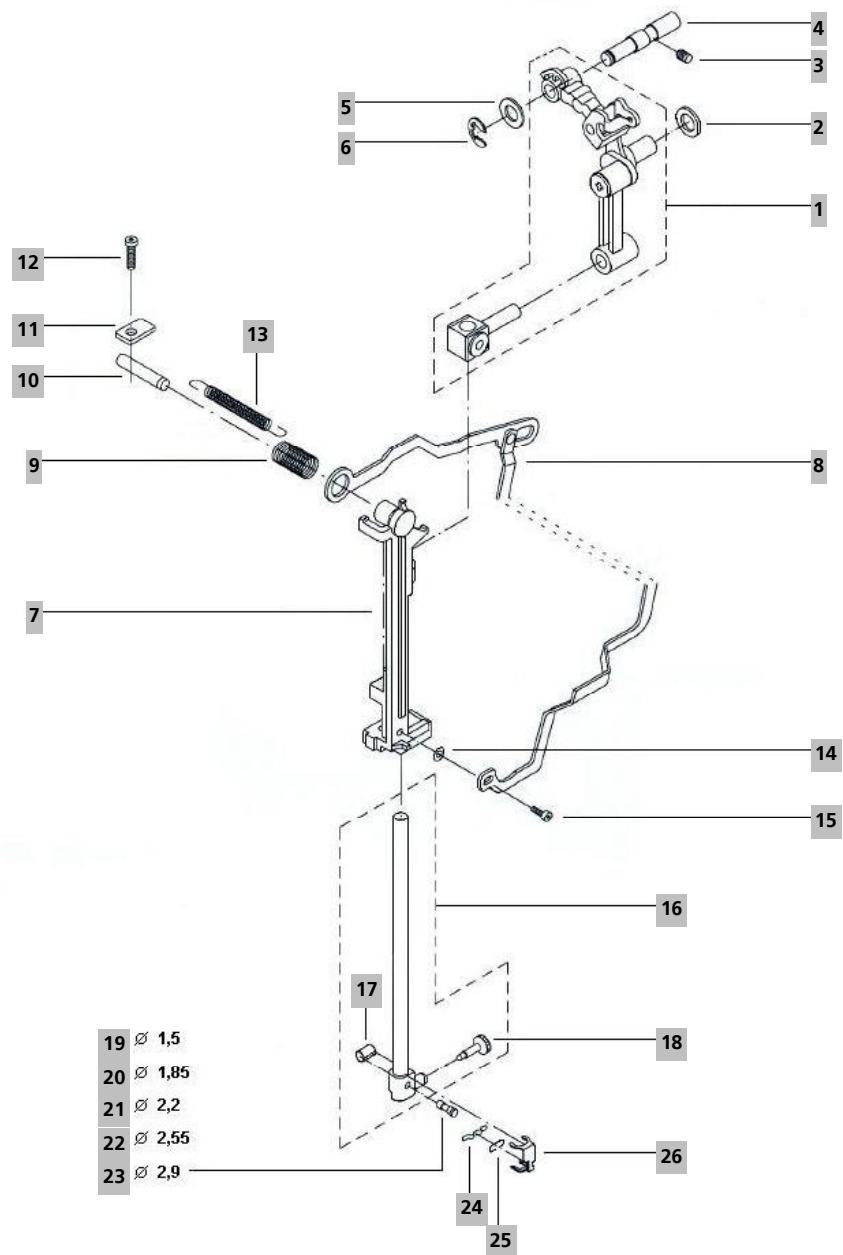
1	007588.50.00	2	007566.51.00	3	007532.50.00	4	007564.70.00	5	007567.50.00	6	007579.51.00
7	007866.50.43	8	007587.50.00	9	007576.50.00	10	001117.70.00	11	008932.50.00	12	007598.52.00
13	241190.43.++	14	007568.52.00	15	235014.53.++	16	007888.50.43				



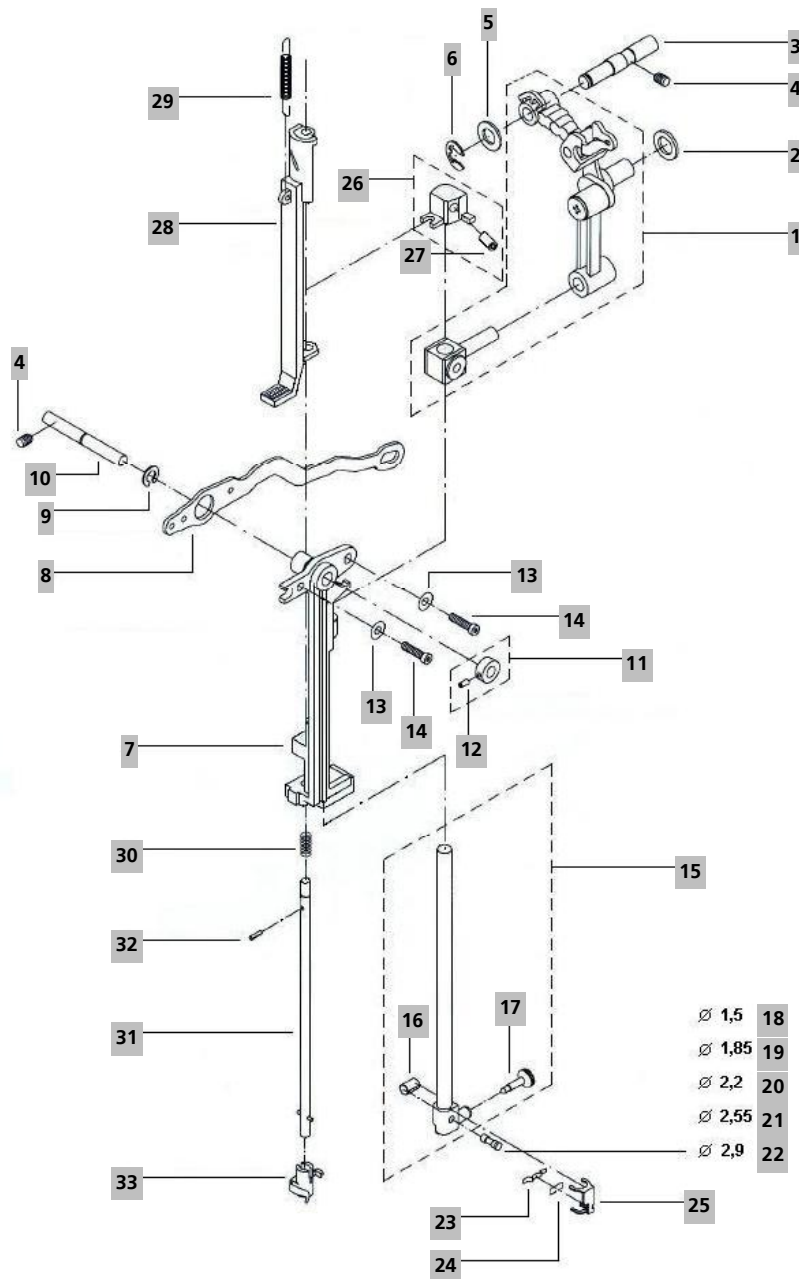
1	008733.50.00	2	008835.71.00	3	008919.50.00	4	007564.70.00	5	007567.50.00	6	007579.51.00
7	007866.50.43	8	007587.50.00	9	007576.50.00	10	001117.70.00	11	008932.50.00	12	007598.52.00
13	008729.51.00	14	241190.43.++	15	007568.52.00	16	007888.50.43				



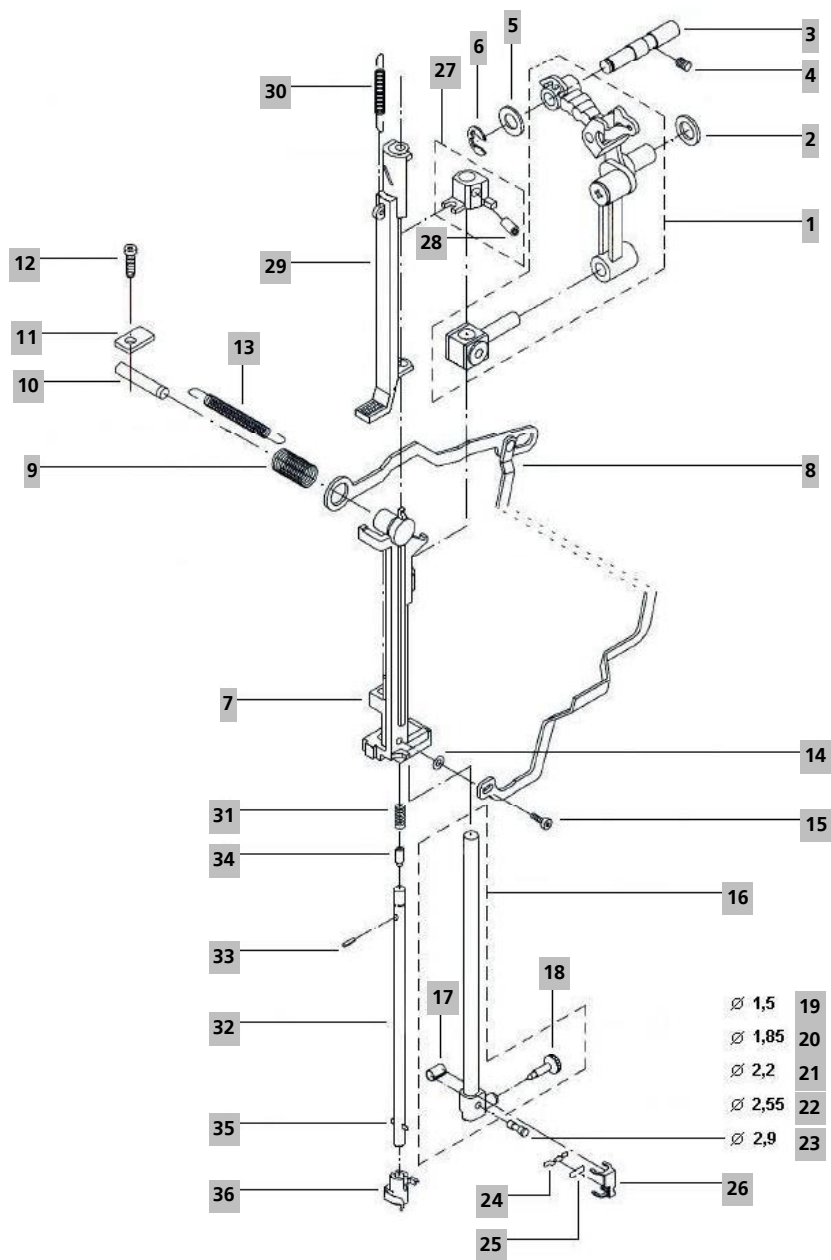
1	008284.72.00	2	229617.43.++	3	008226.50.00	4	007866.50.43	5	230012.13.++	6	235017.53.++
7	007572.52.00	8	008204.50.00	9	235014.53.++	10	007573.50.00	11	008227.70.00	12	007866.50.31
13	229507.13.++	14	007886.50.36	15	008208.70.01	16	001296.52.00	17	008243.51.00	18	008211.50.00
19	008211.50.01	20	008211.50.02	21	008211.50.03	22	008211.50.04	23	008213.51.00	24	008214.50.00
25	008212.50.00										



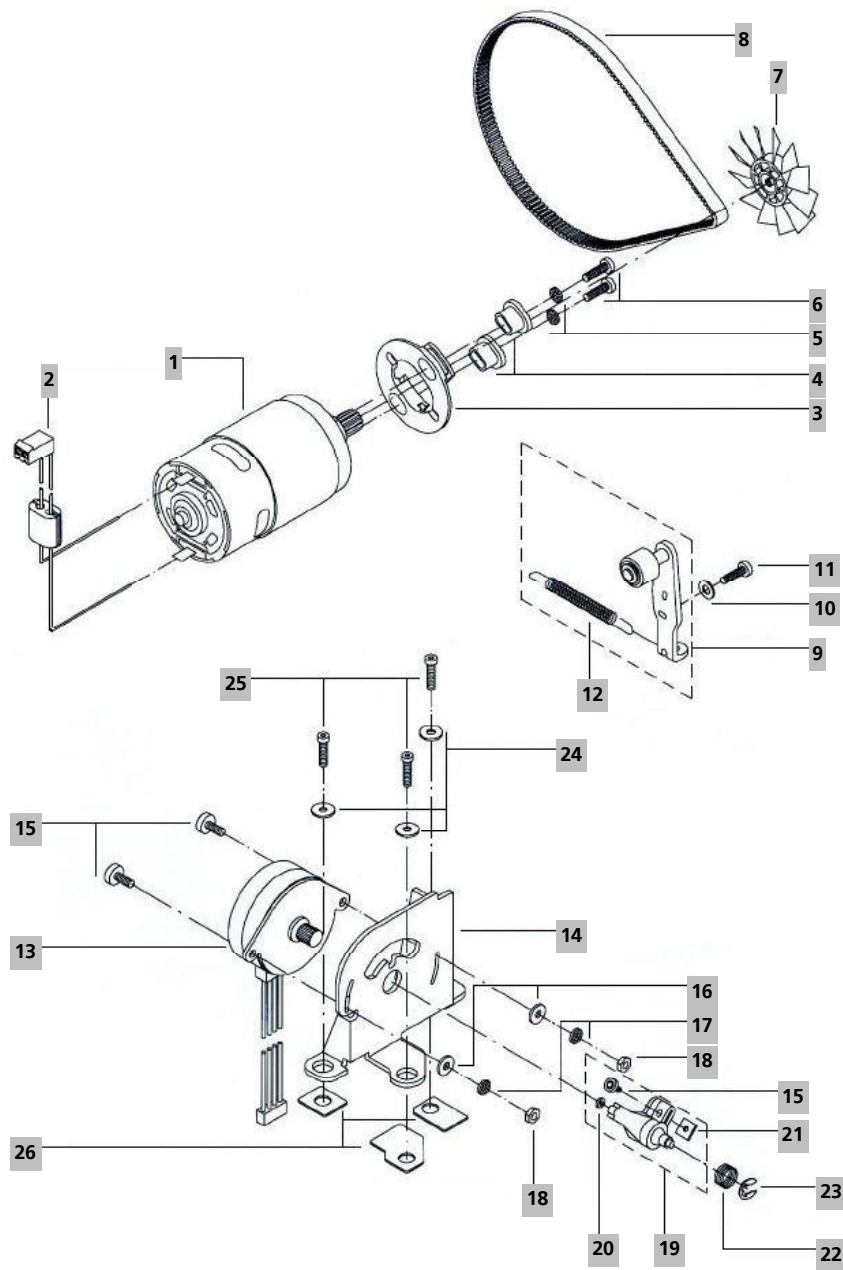
1	008284.71.00	2	229617.43.++	3	008226.50.00	4	007866.50.43	5	230012.13.++	6	235017.53.++
7	008707.53.00	8	008796.71.00	9	008722.50.00	10	008714.50.00	11	001047.51.00	12	007886.50.43
13	008712.50.00	14	229507.13.++	15	007886.50.33	16	008208.70.01	17	001296.52.00	18	008243.51.00
19	008211.50.00	20	008211.50.01	21	008211.50.02	22	008211.50.03	23	008211.50.04	24	008213.51.00
25	008214.50.00	26	008212.50.00								



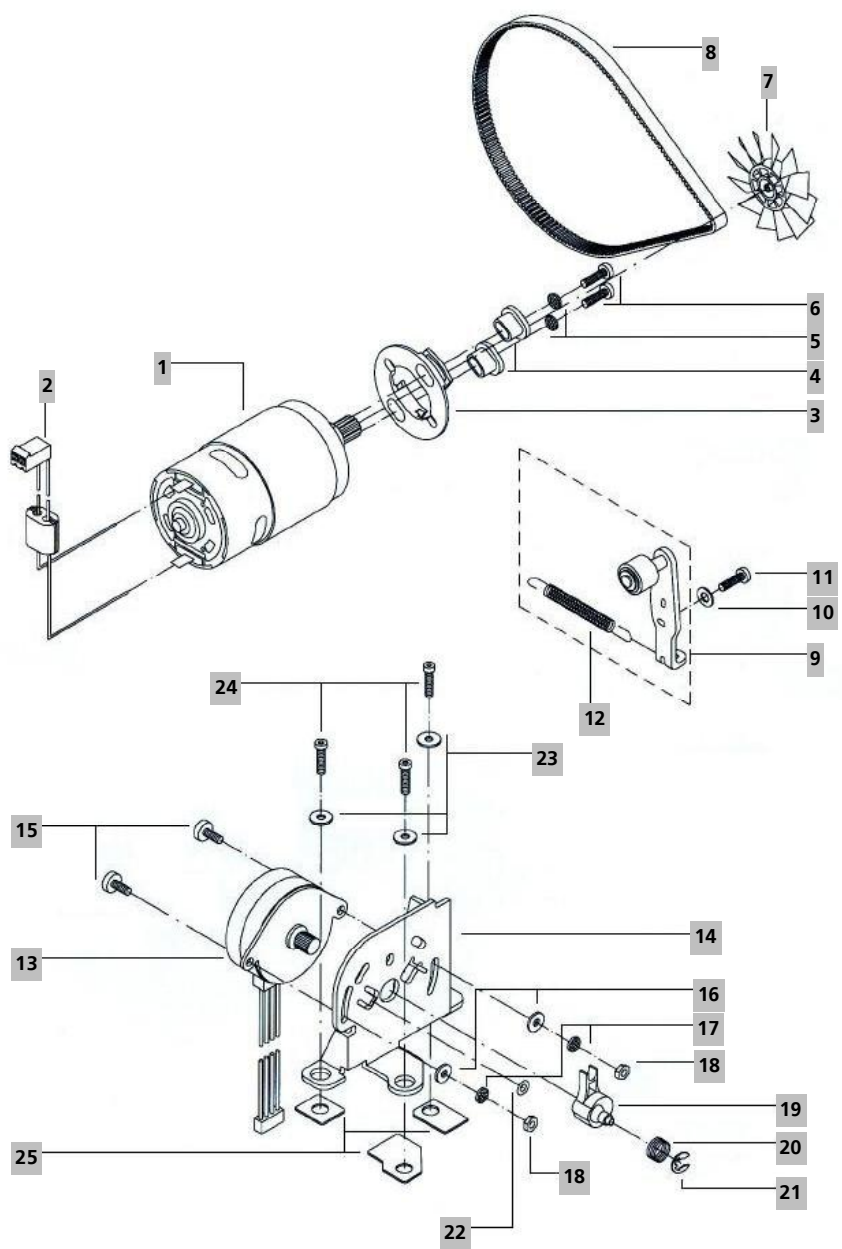
1	008284.72.00	2	229617.43.++	3	008226.50.00	4	007866.50.43	5	230012.13.++	6	235017.53.++
7	007572.52.00	8	008204.50.00	9	235014.53.++	10	007573.50.00	11	008227.70.00	12	007866.50.31
13	229507.13.++	14	007886.50.36	15	008208.70.01	16	001296.52.00	17	008243.51.00	18	008211.50.00
19	008211.50.01	20	008211.50.02	21	008211.50.03	22	008211.50.04	23	008213.51.00	24	008214.50.00
25	008212.50.00	26	007563.73.00	27	007866.50.41	28	007586.52.00	29	007531.52.00	30	007596.50.00
31	007574.71.00	32	007595.50.15	33	030642.71.00						



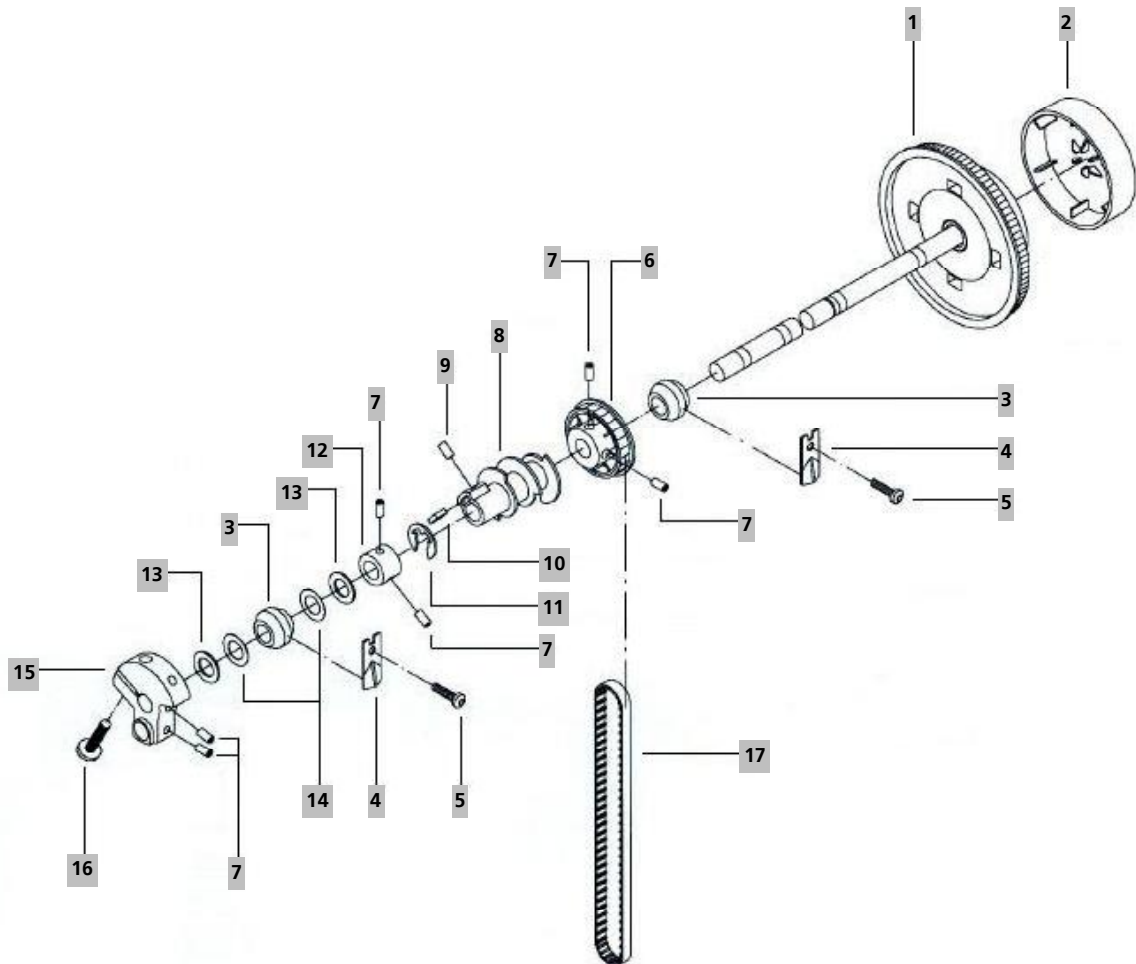
1	008284.72.00	2	229617.43.++	3	008226.50.00	4	007866.50.43	5	230012.13.++	6	235017.53.++
7	008707.53.00	8	008796.71.00	9	008722.50.00	10	008714.50.00	11	001047.51.00	12	007886.50.43
13	008712.50.00	14	229507.13.++	15	007886.50.33	16	008208.70.01	17	001296.52.00	18	008243.51.00
19	008211.50.00	20	008211.50.01	21	008211.50.02	22	008211.50.03	23	008211.50.04	24	008213.51.00
25	008214.50.00	26	008212.50.00	27	007563.72.00	28	007866.50.41	29	007586.52.00	30	007531.52.00
31	007596.50.00	32	007574.71.00	33	241056.43.++	34	201501.13.++	35	007595.50.15	36	030642.71.00



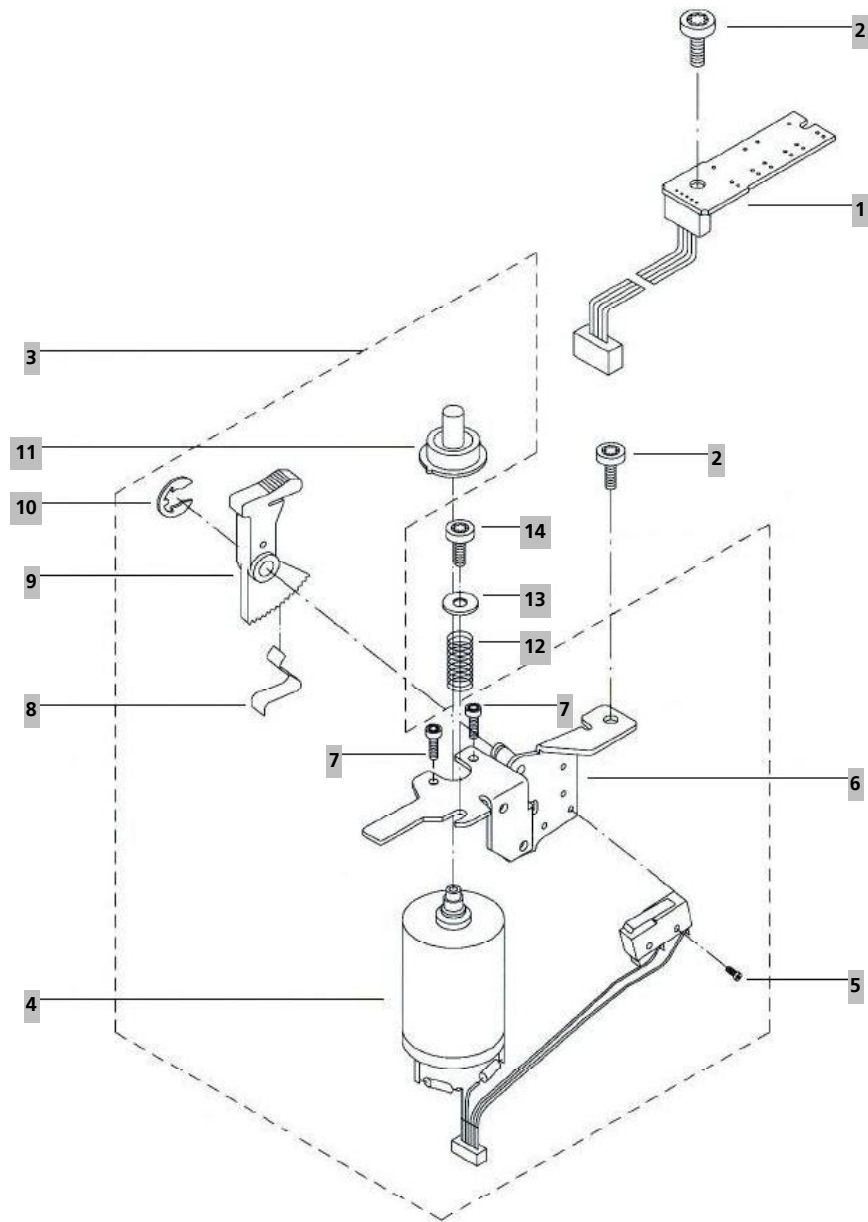
1 007884.71.00	2 003853.70.00	3 007898.51.00	4 007899.51.00	5 233506.53.++	6 007886.50.45
7 030435.51.01	8 007903.50.00	9 007865.73.00	10 229543.13.++	11 007886.50.44	12 256025.03.++
13 007835.50.03	14 008218.51.00	15 007752.50.32	16 229506.13.++	17 233503.53.++	18 225023.83.++
19 008217.70.00	20 003073.50.01	21 226836.23.++	22 255703.03.++	23 000727.50.00	24 229016.13.++
25 007886.50.43	26 008216.50.00				



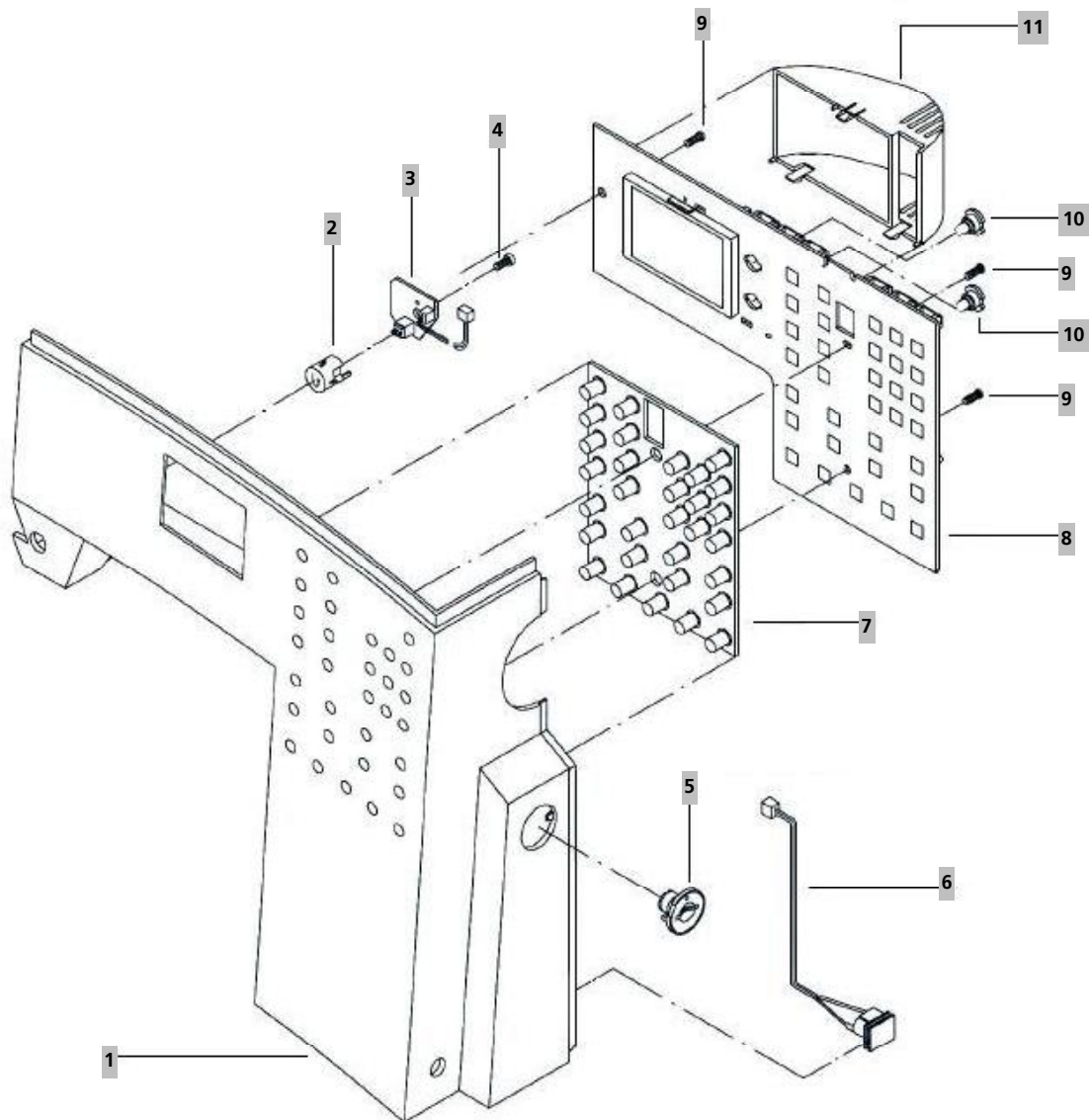
1 007884.71.00	2 003853.70.00	3 007898.51.00	4 007899.51.00	5 233506.53.++	6 007886.50.45
7 030435.51.01	8 007903.50.00	9 007865.73.00	10 229543.13.++	11 007886.50.44	12 256025.03.++
13 007835.50.04	14 008958.50.00	15 007752.50.32	16 229506.13.++	17 233503.53.++	18 225023.83.++
19 008286.50.00	20 255703.03.++	21 000727.50.00	22 003073.50.01	23 229016.13.++	24 007886.50.43
25 008216.50.00					



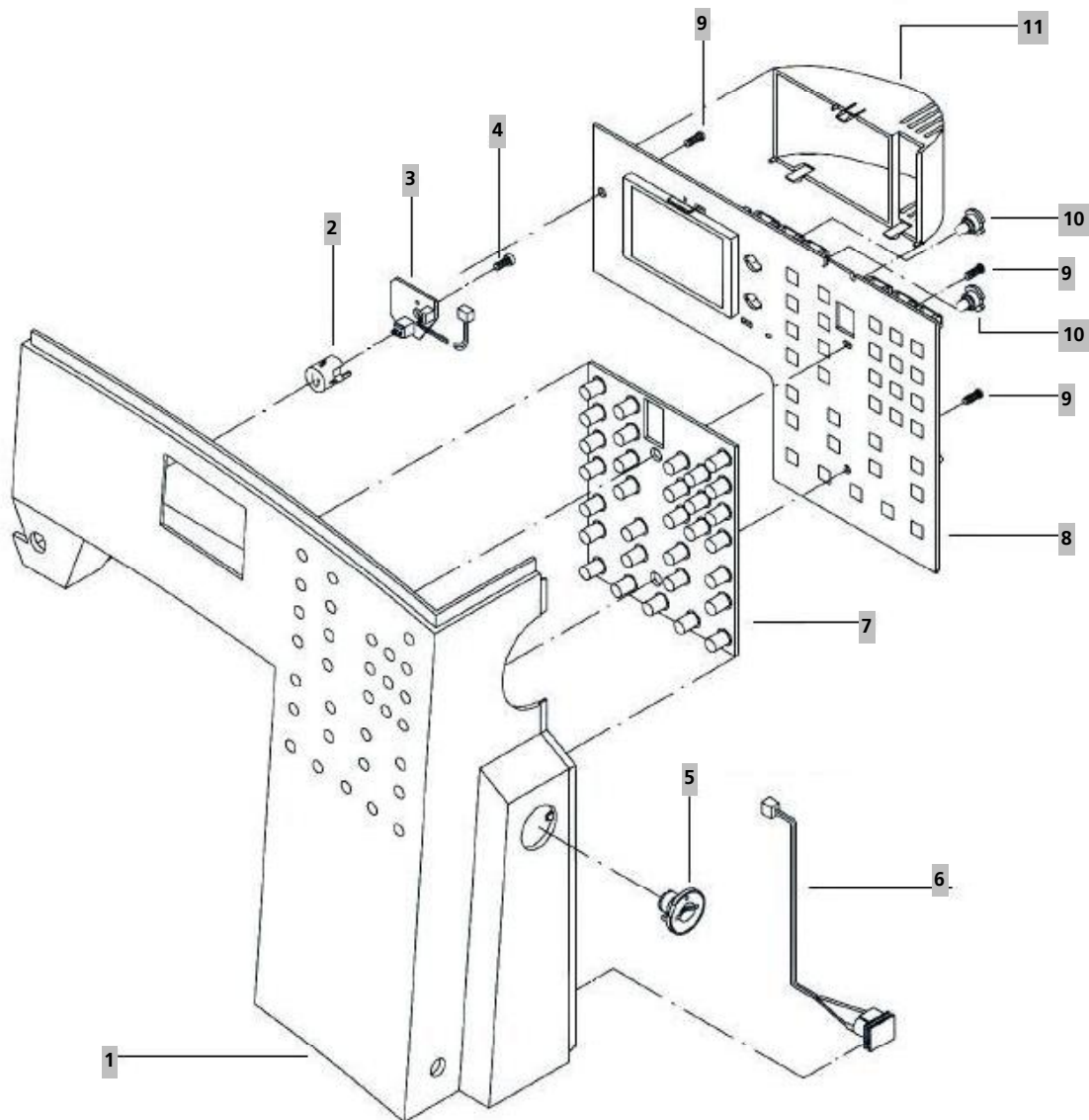
1 007779.71.00	2 007771.50.00	3 007823.50.02	4 007778.51.00	5 007886.50.43	6 001994.73.01
7 007868.50.72	8 007754.71.00	9 007866.50.43	10 226841.83.++	11 007966.50.11	12 007781.70.00
13 007895.50.71	14 303200.03.1+	15 007780.71.00	16 007752.50.66	17 007903.50.22	



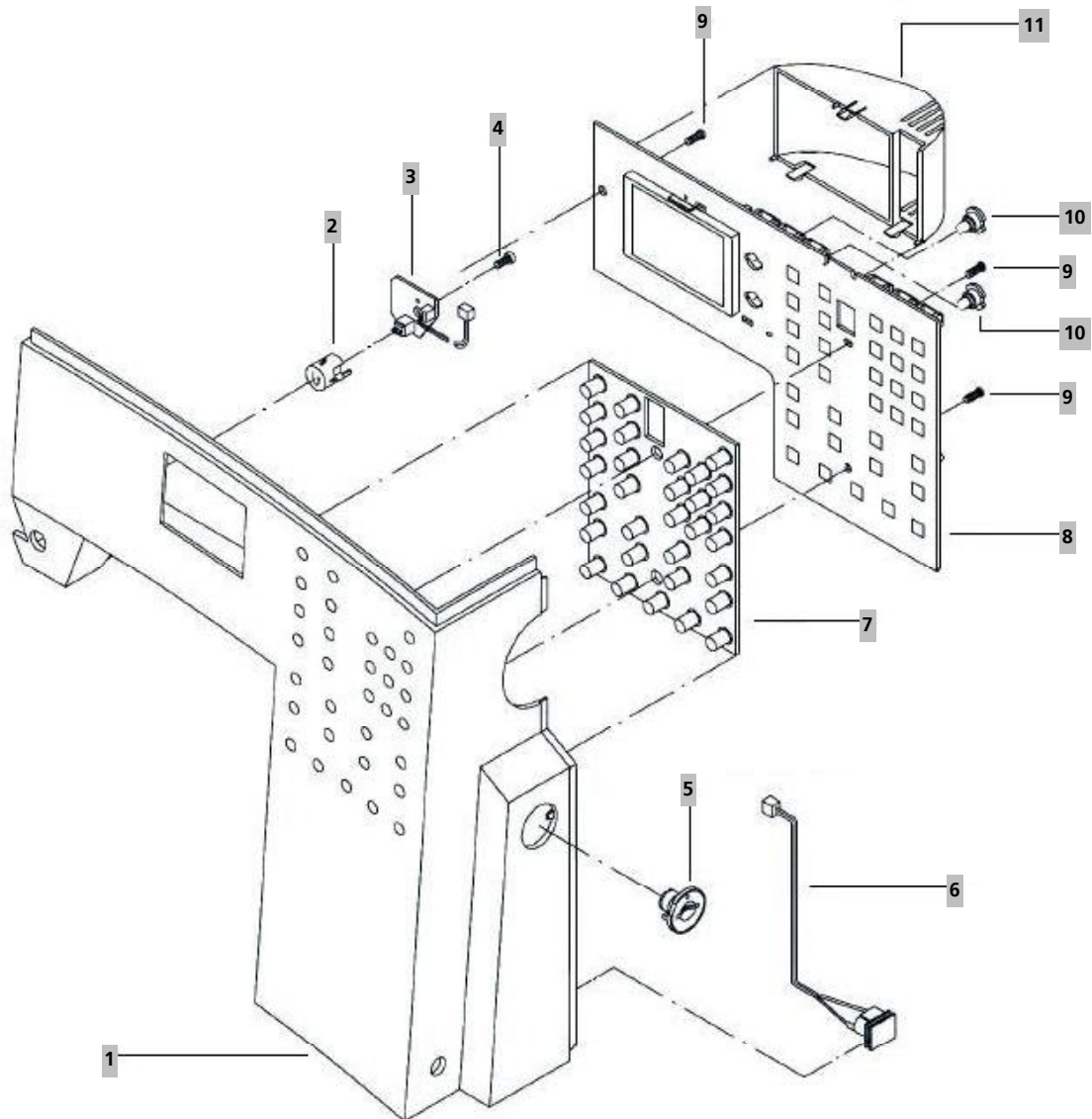
1 007756.70.00	2 007886.50.43	3 007772.73.00	4 002257.70.03	5 007886.50.15	6 007773.70.00
7 007752.50.20	8 007774.50.00	9 002007.70.01	10 235011.53.++	11 001843.71.01	12 255450.03.++
13 229551.13.++	14 007886.50.46				



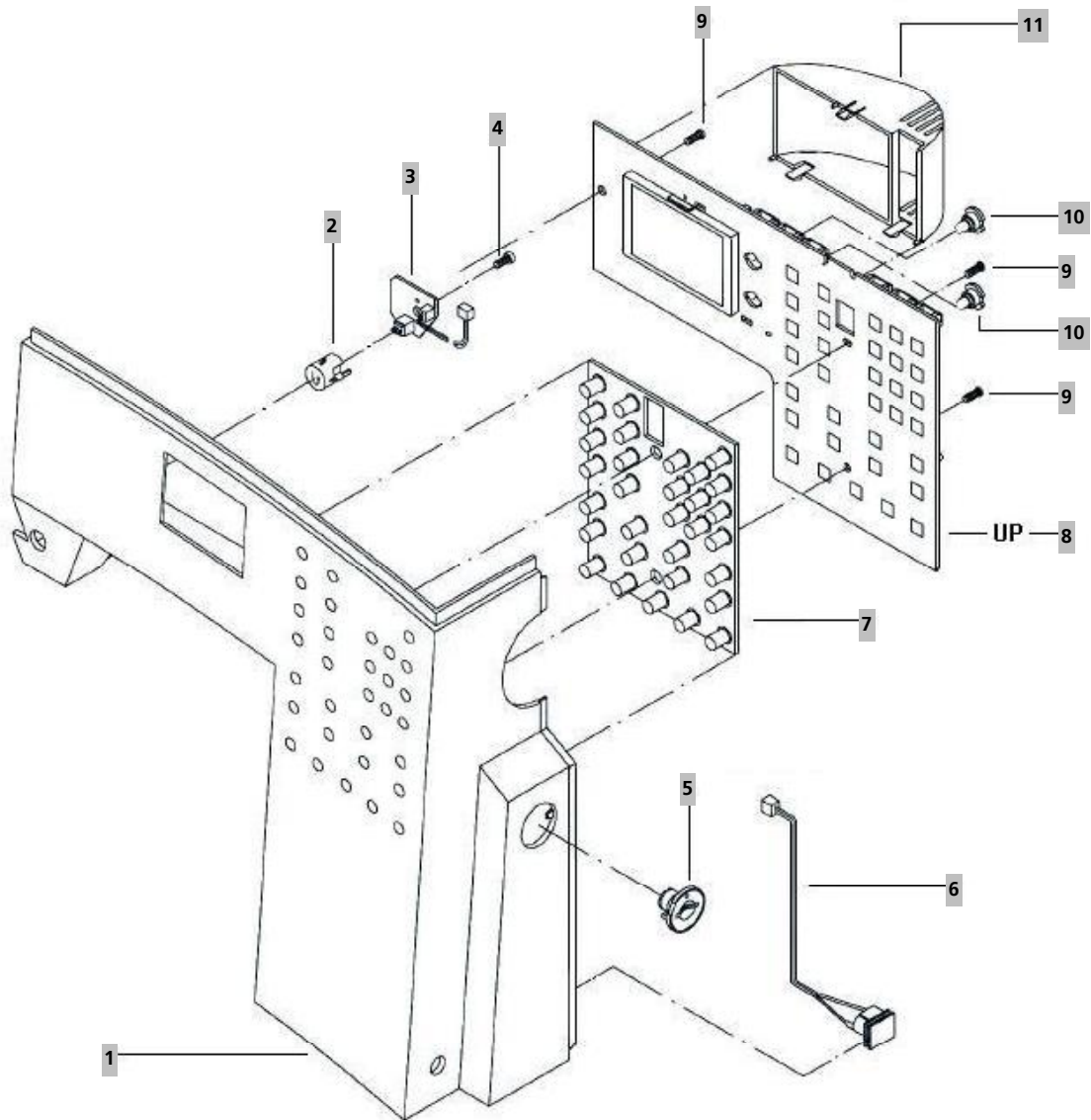
1 007999.71.01	2 007982.50.00	3 007986.70.00	4 002334.50.01	5 008860.71.00	6 000659.70.10
7 007782.51.00	8 000917.71.01	9 002334.50.00	10 000774.50.01	11 007795.52.00	



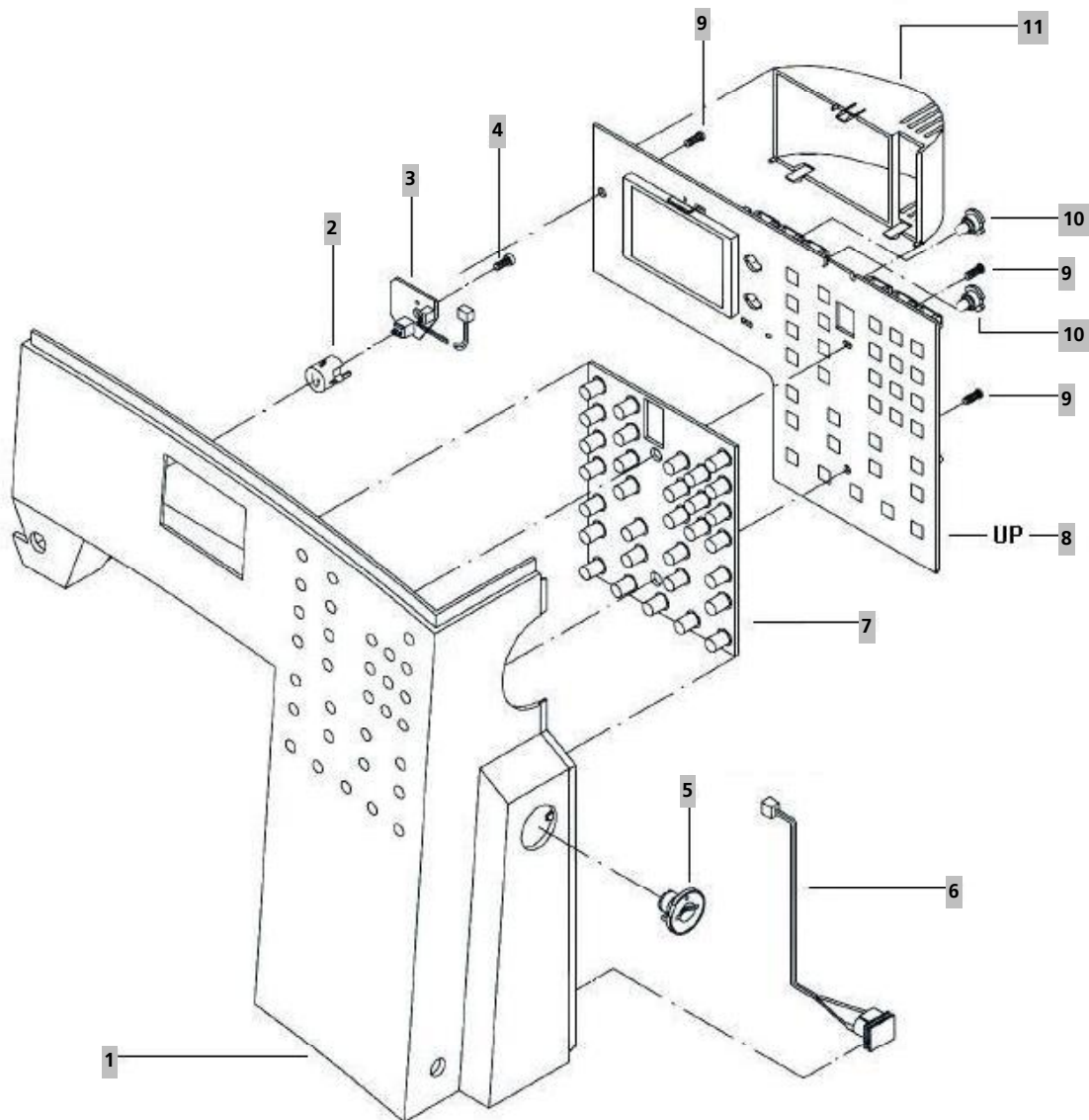
1 007999.71.03	2 007982.50.00	3 007986.70.00	4 002334.50.01	5 008860.71.00	6 000659.70.10
7 007782.51.00	8 000917.71.01	9 002334.50.00	10 000774.50.01	11 007795.52.00	



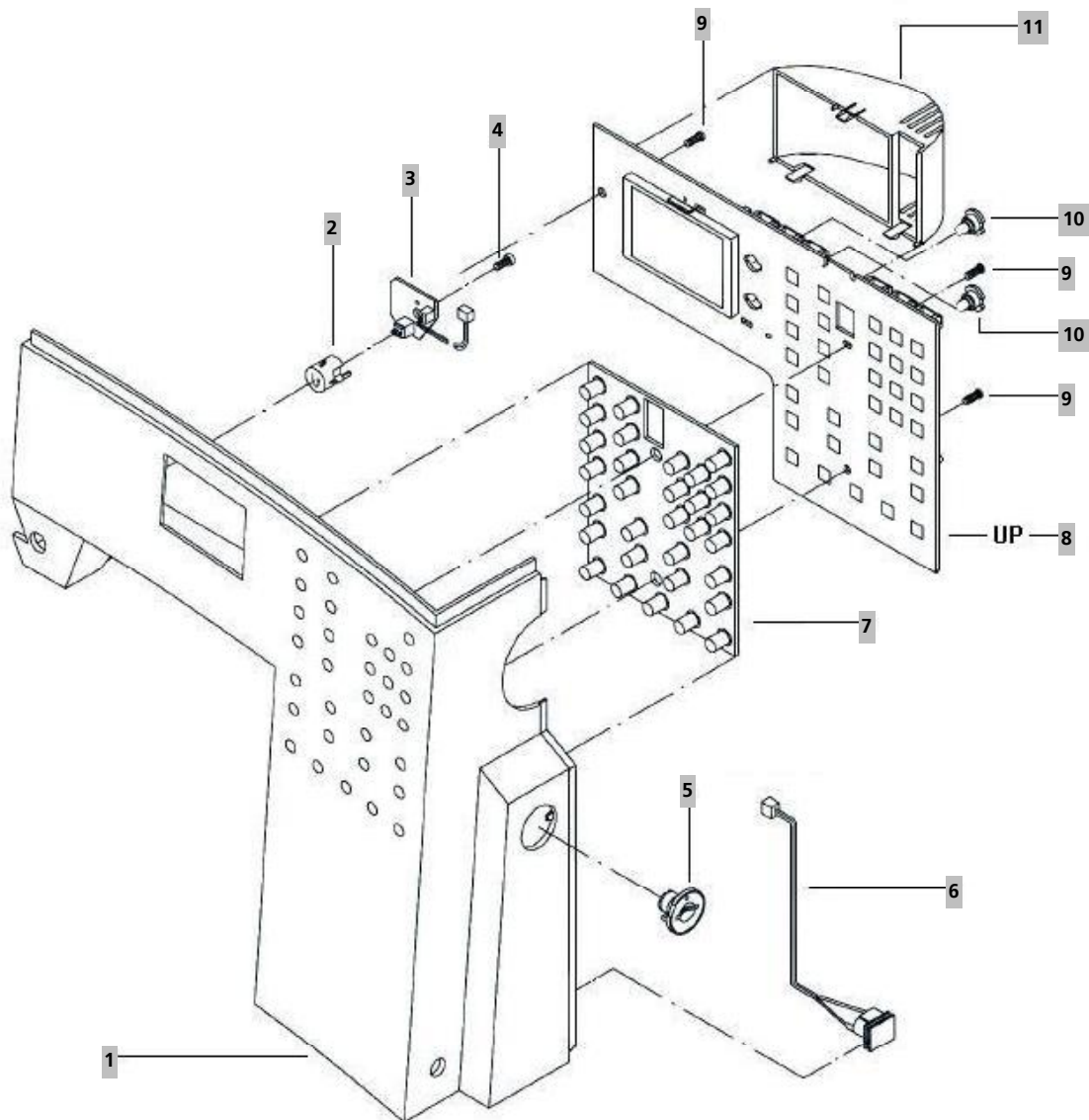
1 007999.71.02	2 007982.50.00	3 007986.70.00	4 002334.50.01	5 008860.71.00	6 000659.70.10
7 007782.51.00	8 000917.71.01	9 002334.50.00	10 000774.50.01	11 007795.52.00	



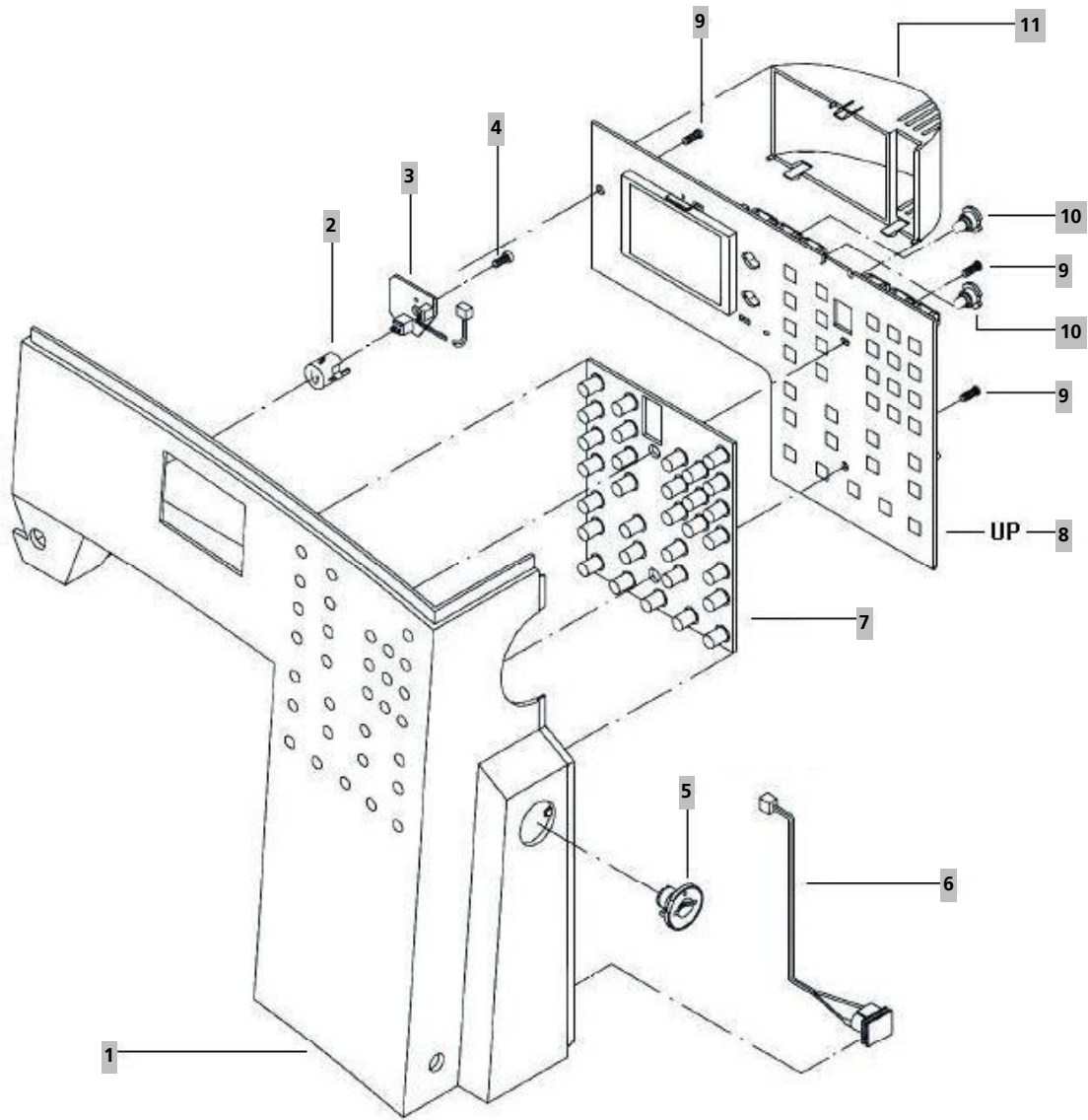
1 007999.71.04	2 007982.50.00	3 007986.70.00	4 002334.50.01	5 008860.71.00	6 000659.70.10
7 007782.51.00	8 015200.71.02	9 002334.50.00	10 000774.50.01	11 007795.52.00	



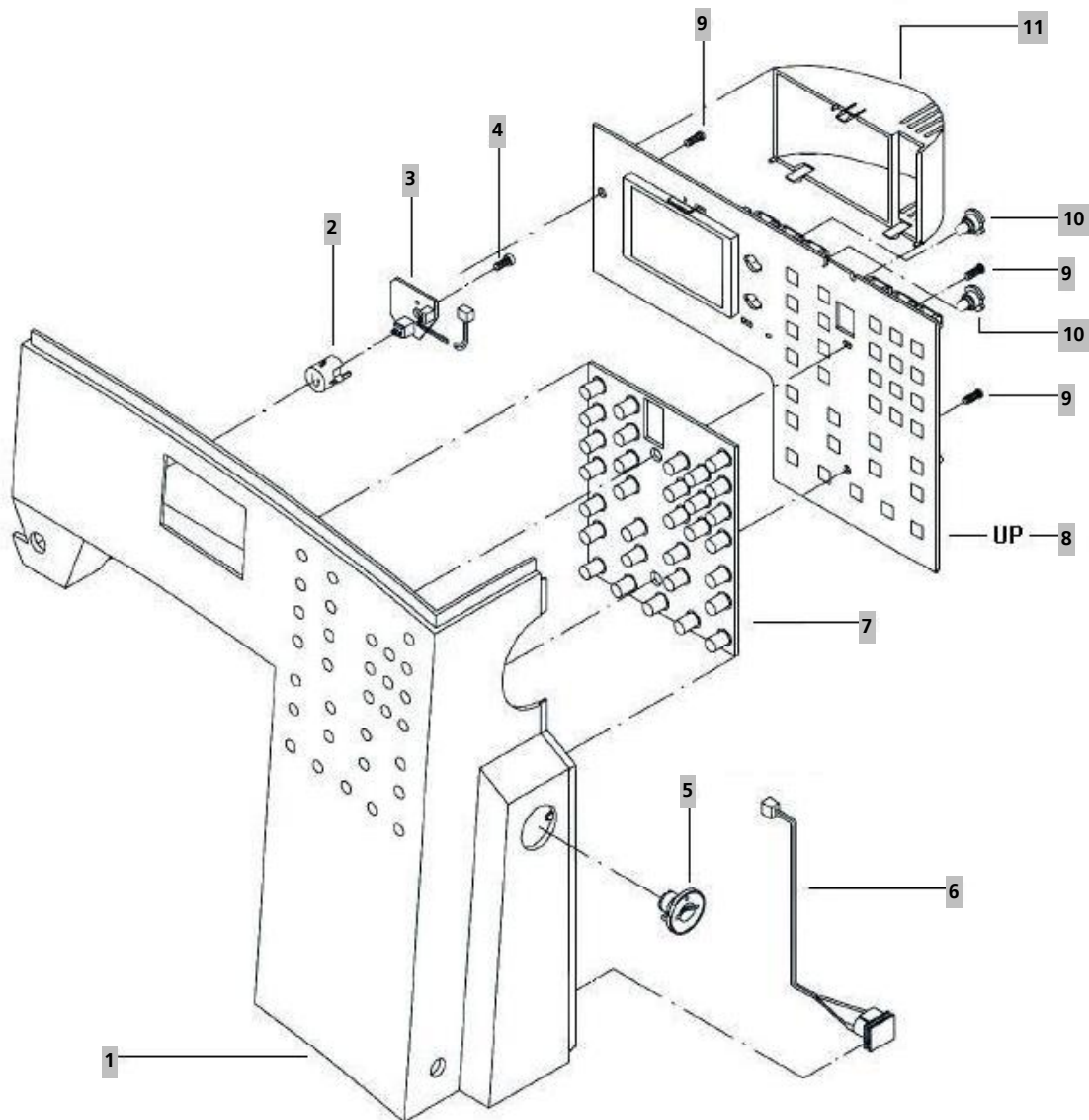
1 007999.71.06	2 007982.50.00	3 007986.70.00	4 002334.50.01	5 008860.71.00	6 000659.70.10
7 007782.51.00	8 015200.71.02	9 002334.50.00	10 000774.50.01	11 007795.52.00	



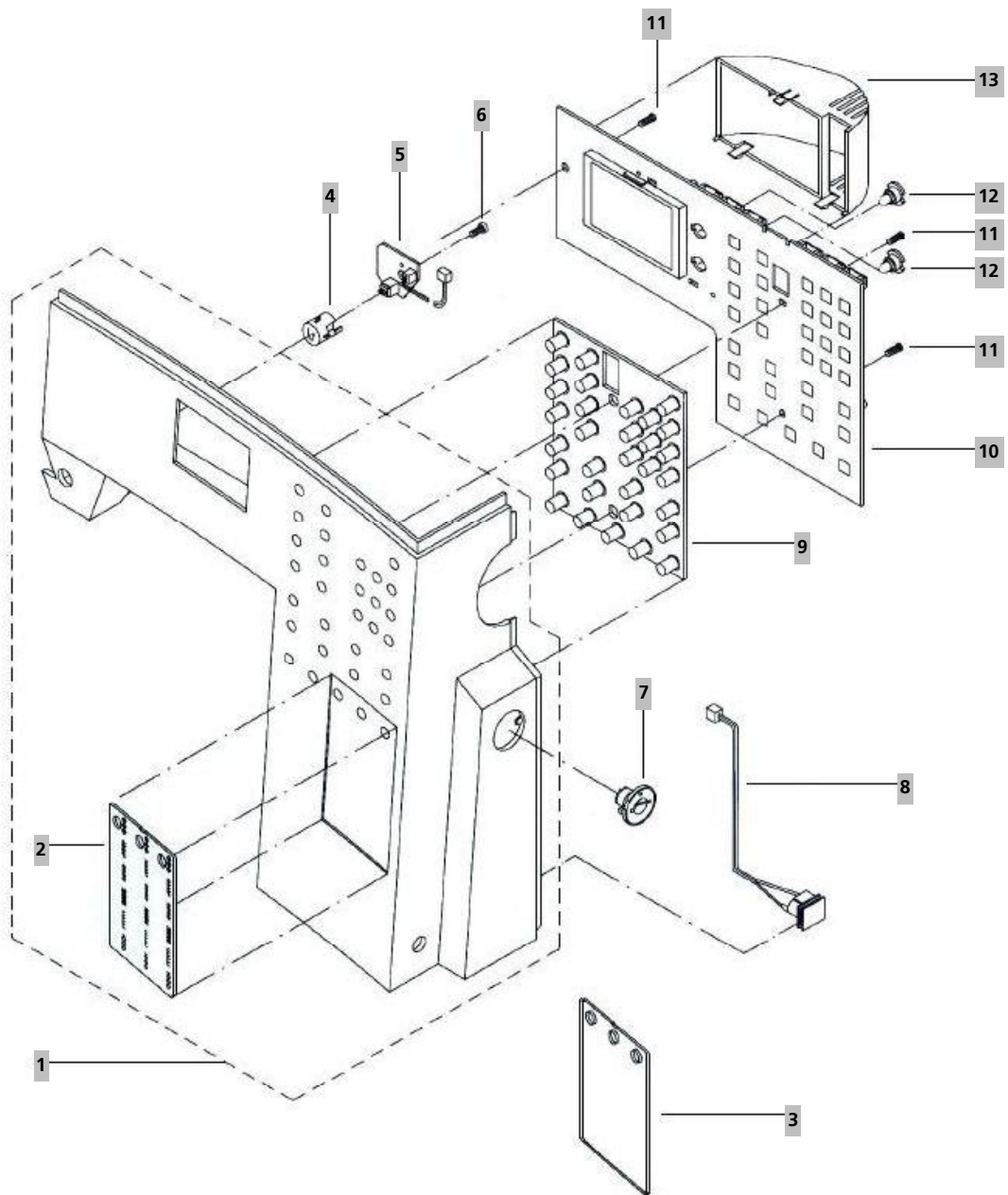
1 007999.71.05	2 007982.50.00	3 007986.70.00	4 002334.50.01	5 008860.71.00	6 000659.70.10
7 007782.51.00	8 015200.71.02	9 002334.50.00	10 000774.50.01	11 007795.52.00	



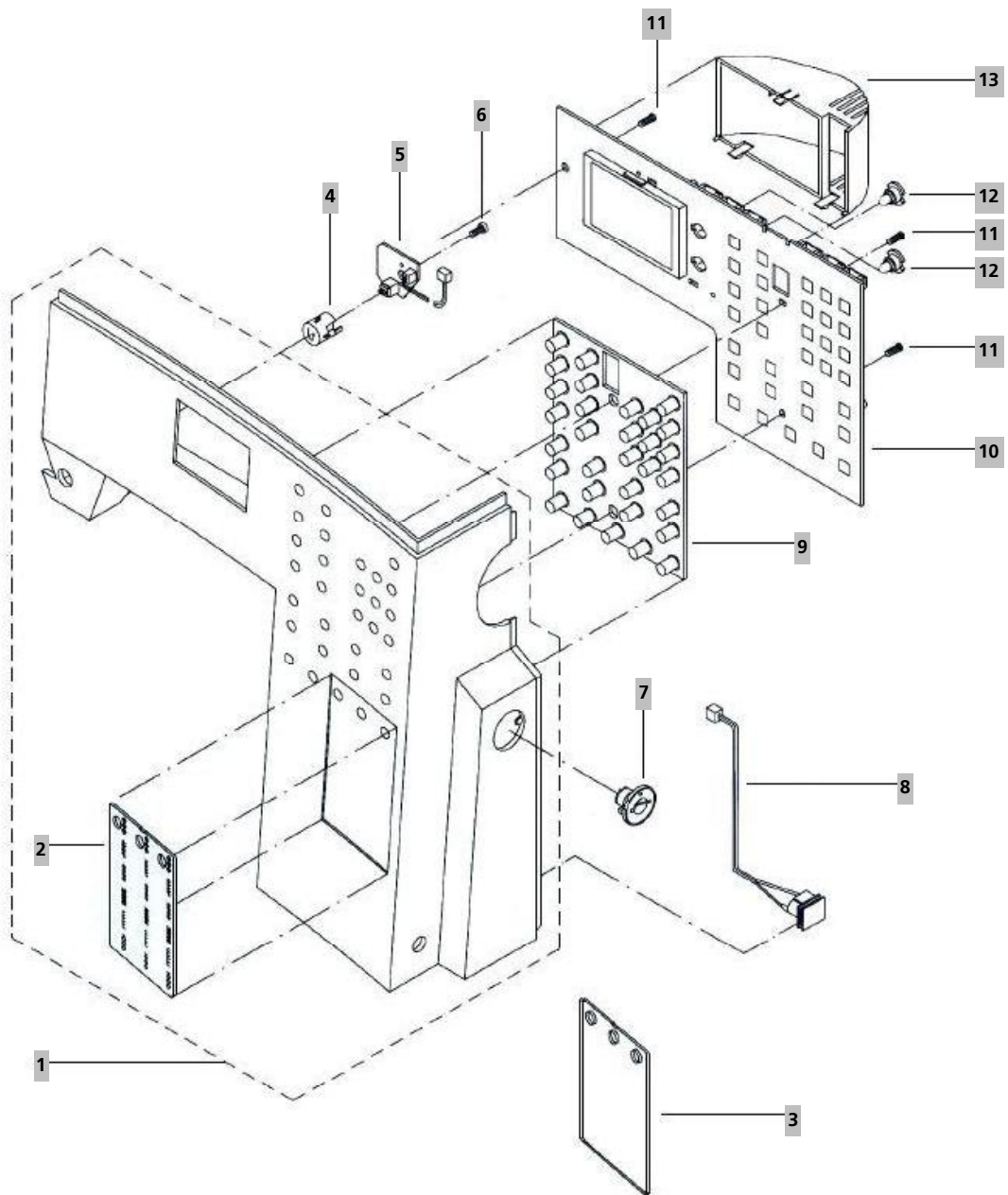
1 007999.71.08	2 007982.50.00	3 007986.70.00	4 002334.50.01	5 008860.71.00	6 000659.70.10
7 007782.51.00	8 015200.71.02	9 002334.50.00	10 000774.50.01	11 007795.52.00	



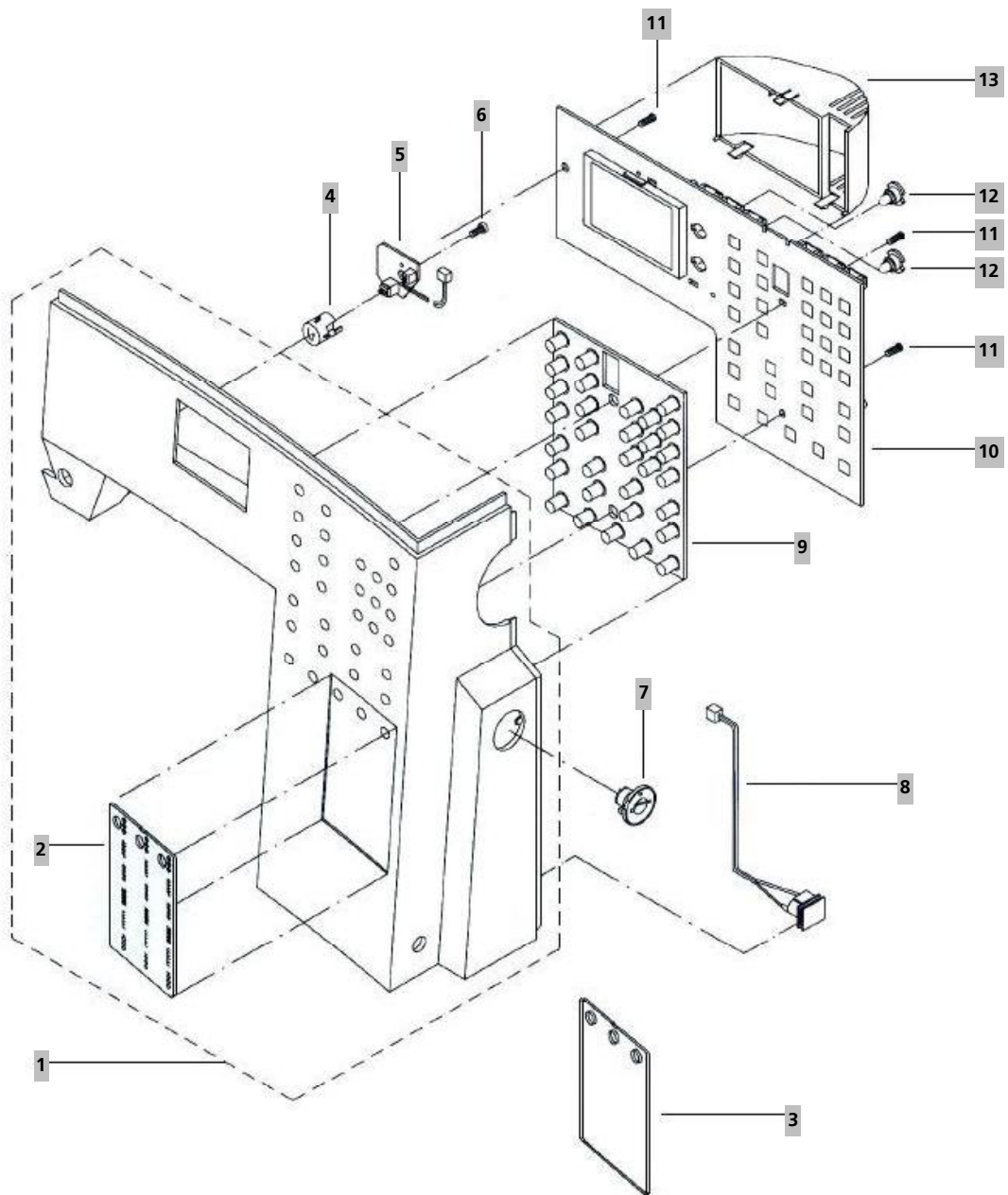
1 007999.71.07	2 007982.50.00	3 007986.70.00	4 002334.50.01	5 008860.71.00	6 000659.70.10
7 007782.51.00	8 015200.71.04	9 002334.50.00	10 000774.50.01	11 007795.52.00	



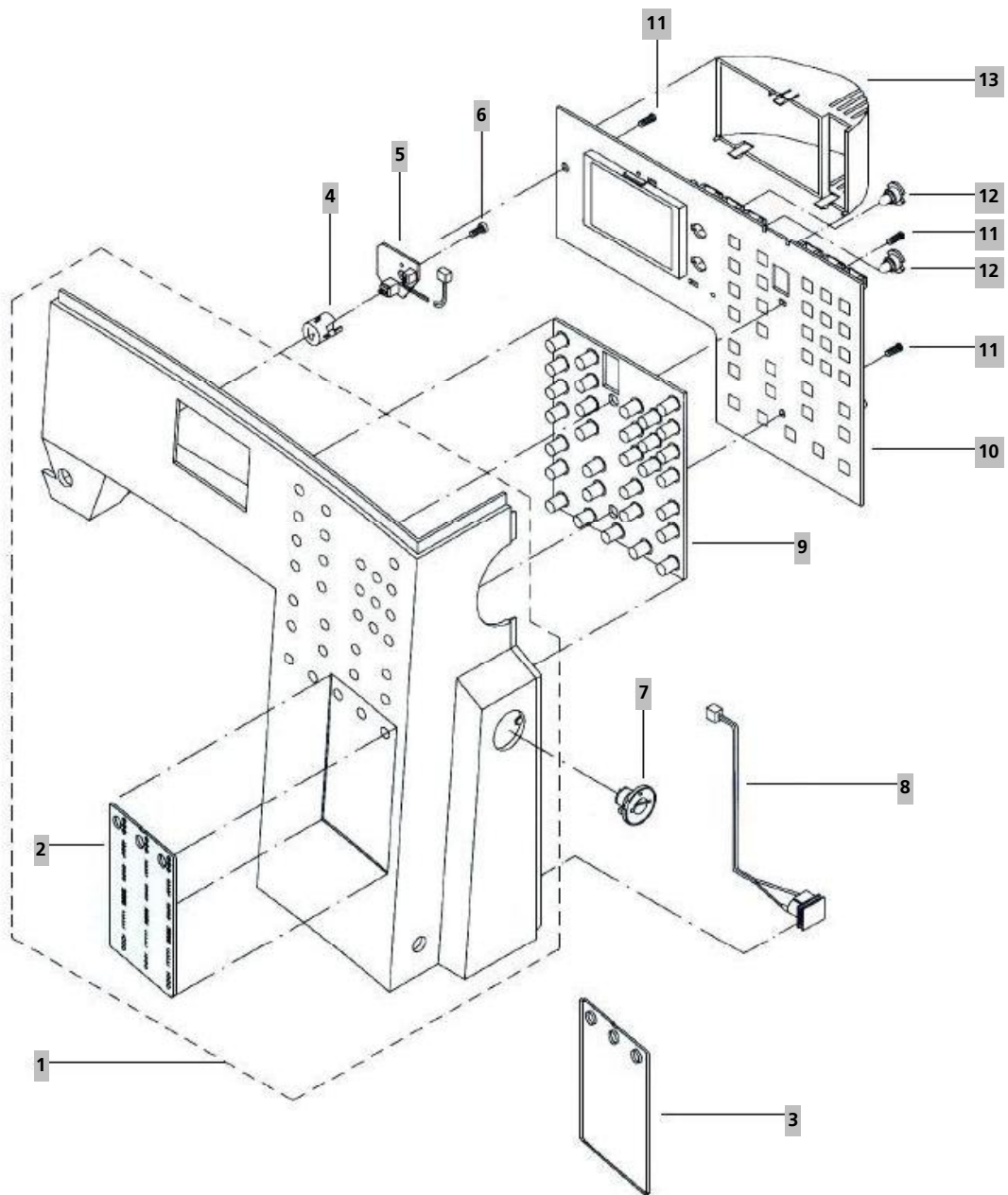
1 007776.71.01	2 007797.50.02	3 007797.50.03	4 007982.50.00	5 007986.70.00	6 002334.50.01
7 008860.71.00	8 000659.70.10	9 007782.51.00	10 000917.71.00	11 002334.50.00	12 000774.50.01
13 007795.52.00					



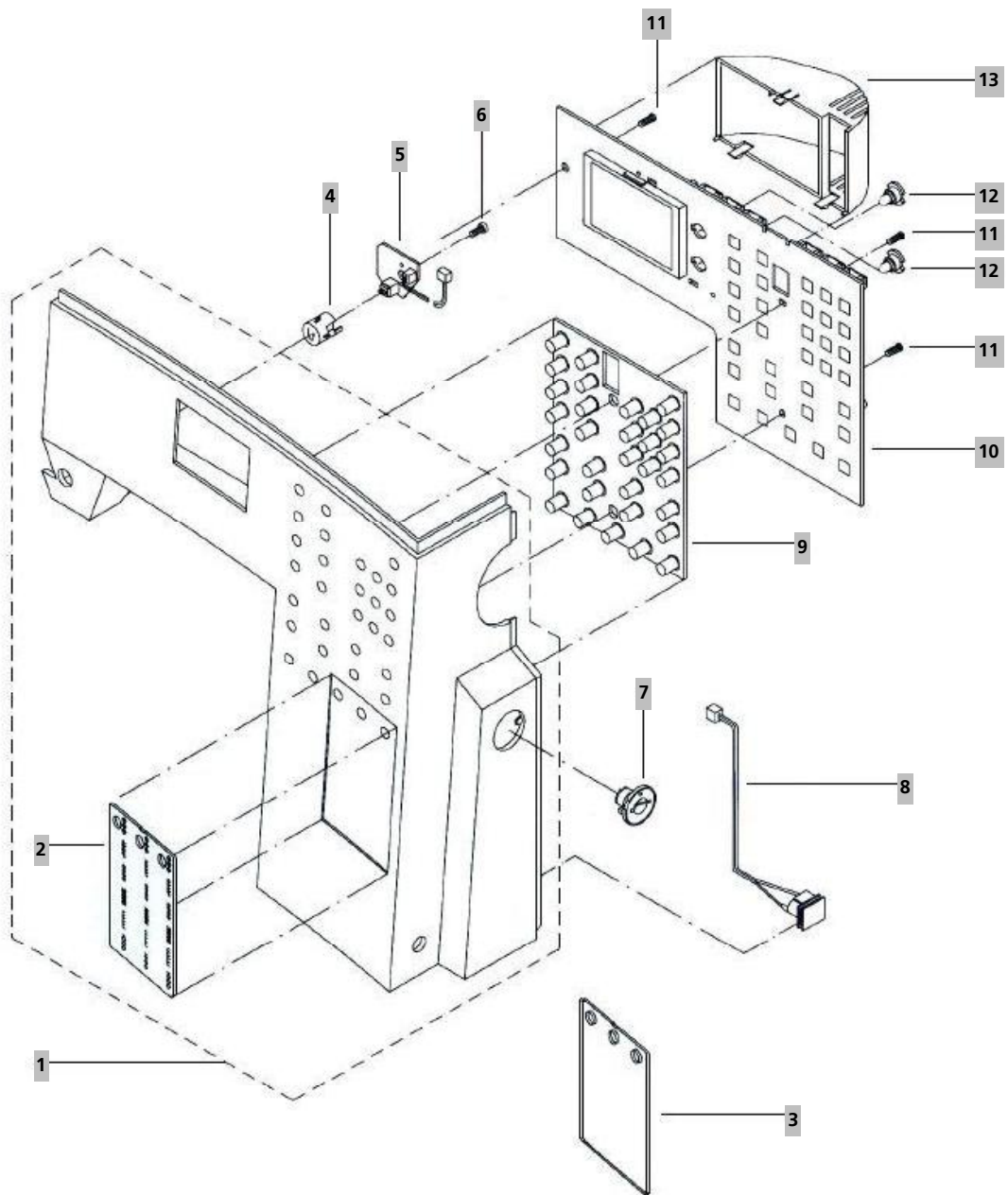
1 007776.71.05	2 007797.50.04	3 007797.50.05	4 007982.50.00	5 007986.70.00	6 002334.50.01
7 008860.71.00	8 000659.70.10	9 007782.51.00	10 000917.71.00	11 002334.50.00	12 000774.50.01
13 007795.52.00					



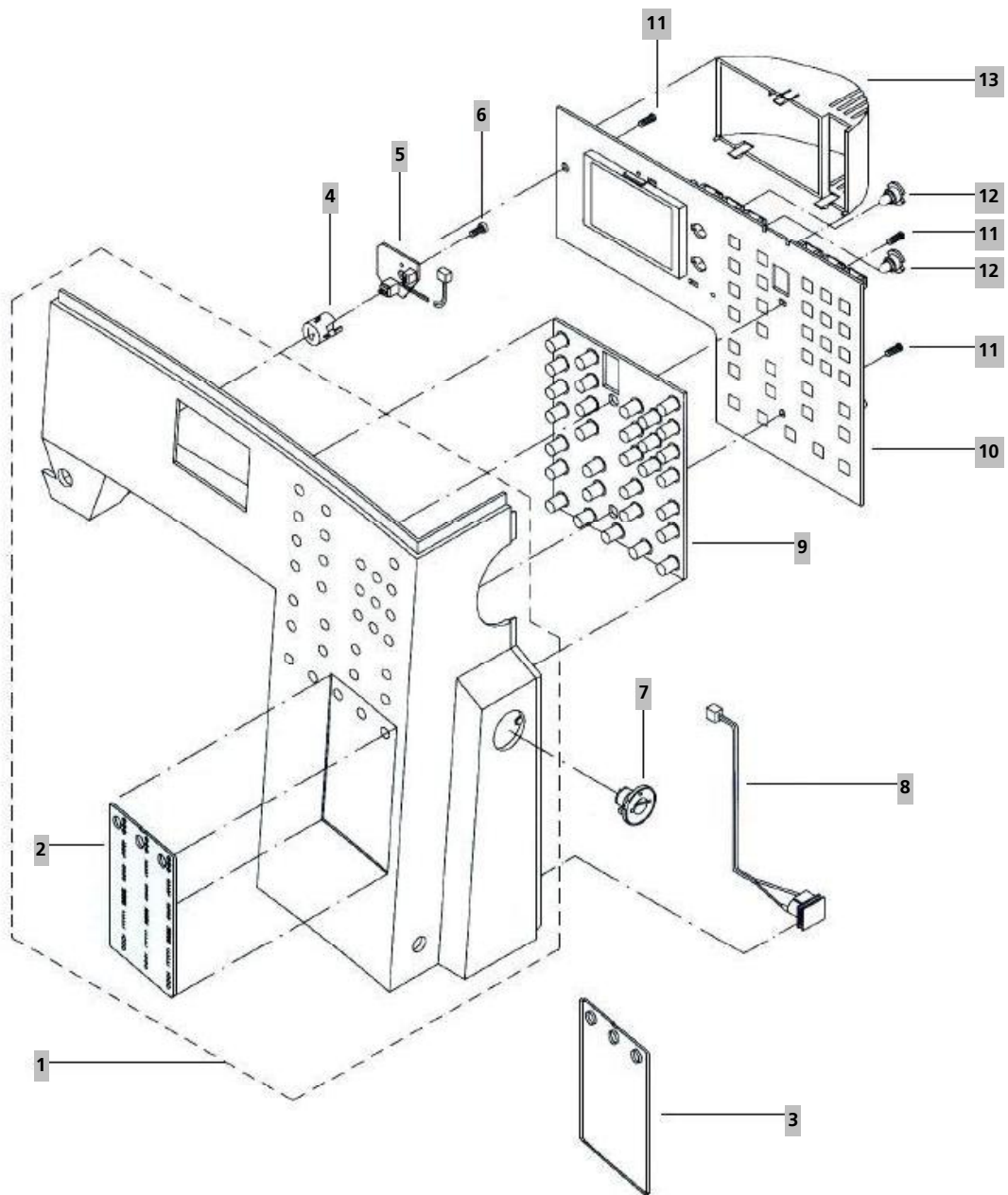
1	007776.71.05	2	007797.50.04	3	007797.50.05	4	007982.50.00	5	007986.70.00	6	002334.50.01
7	008860.71.00	8	000659.70.10	9	007782.51.00	10	000917.71.00	11	002334.50.00	12	000774.50.01
13	007795.52.00										



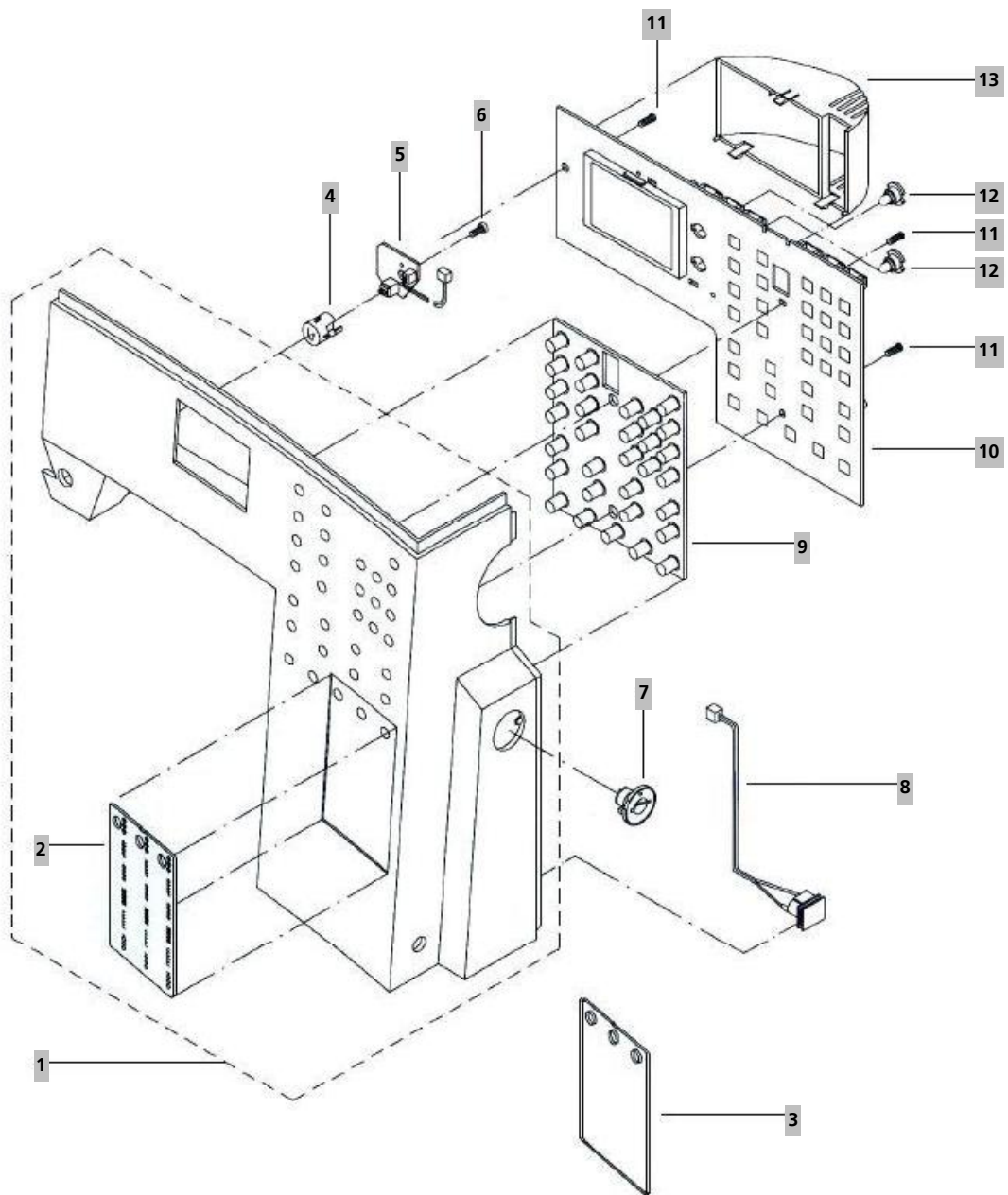
1 004823.71.01	2 007797.50.06	3 007797.50.07	4 007982.50.00	5 007986.70.00	6 002334.50.01
7 008860.71.00	8 000659.70.10	9 004824.50.00	10 015200.72.07	11 002334.50.00	12 000774.50.01
13 007795.52.00					



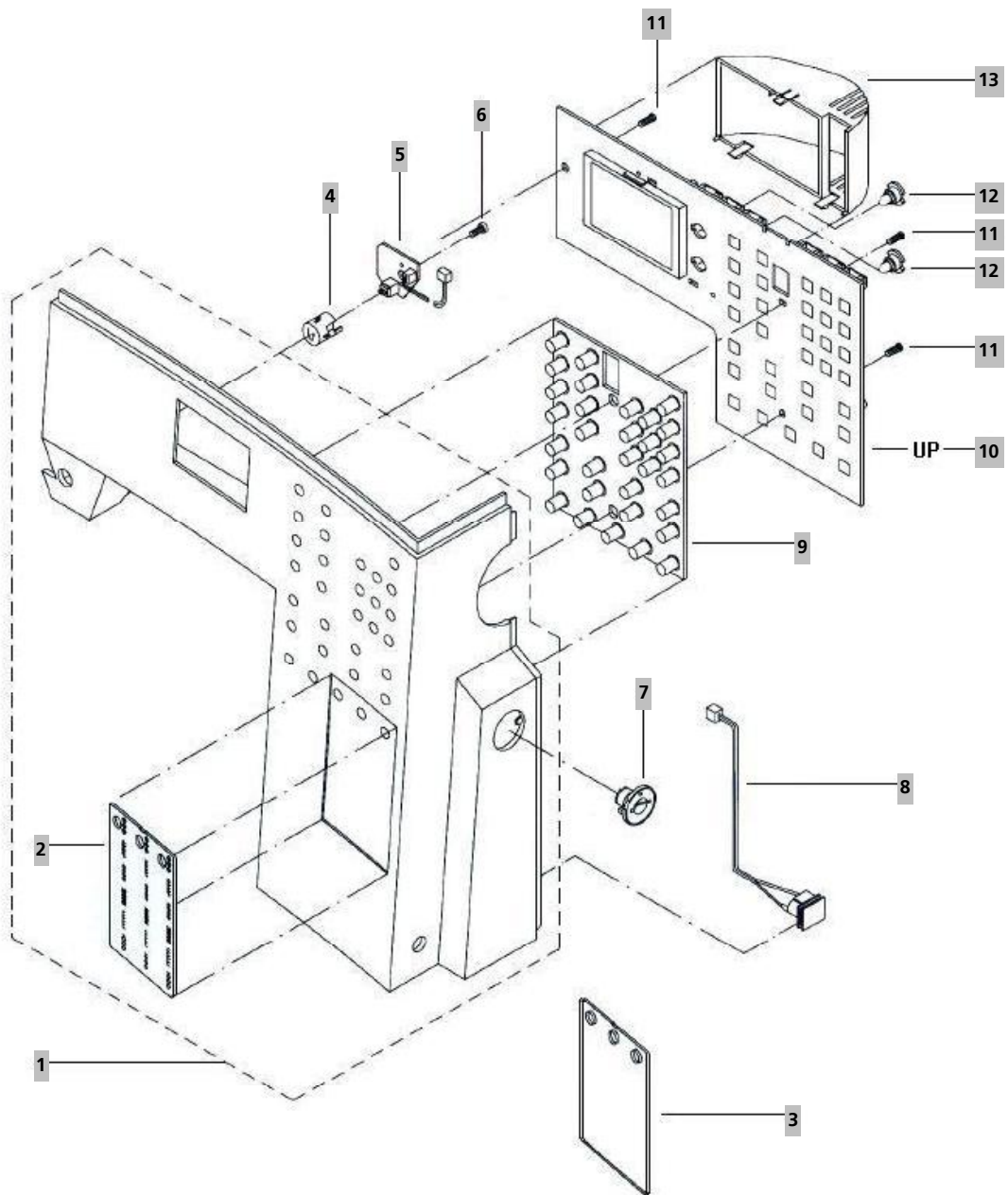
1 007776.71.02	2 007797.50.00	3 007797.50.01	4 007982.50.00	5 007986.70.00	6 002334.50.01
7 008860.71.00	8 000659.70.10	9 007782.51.00	10 000917.71.00	11 002334.50.00	12 000774.50.01
13 007795.52.00					



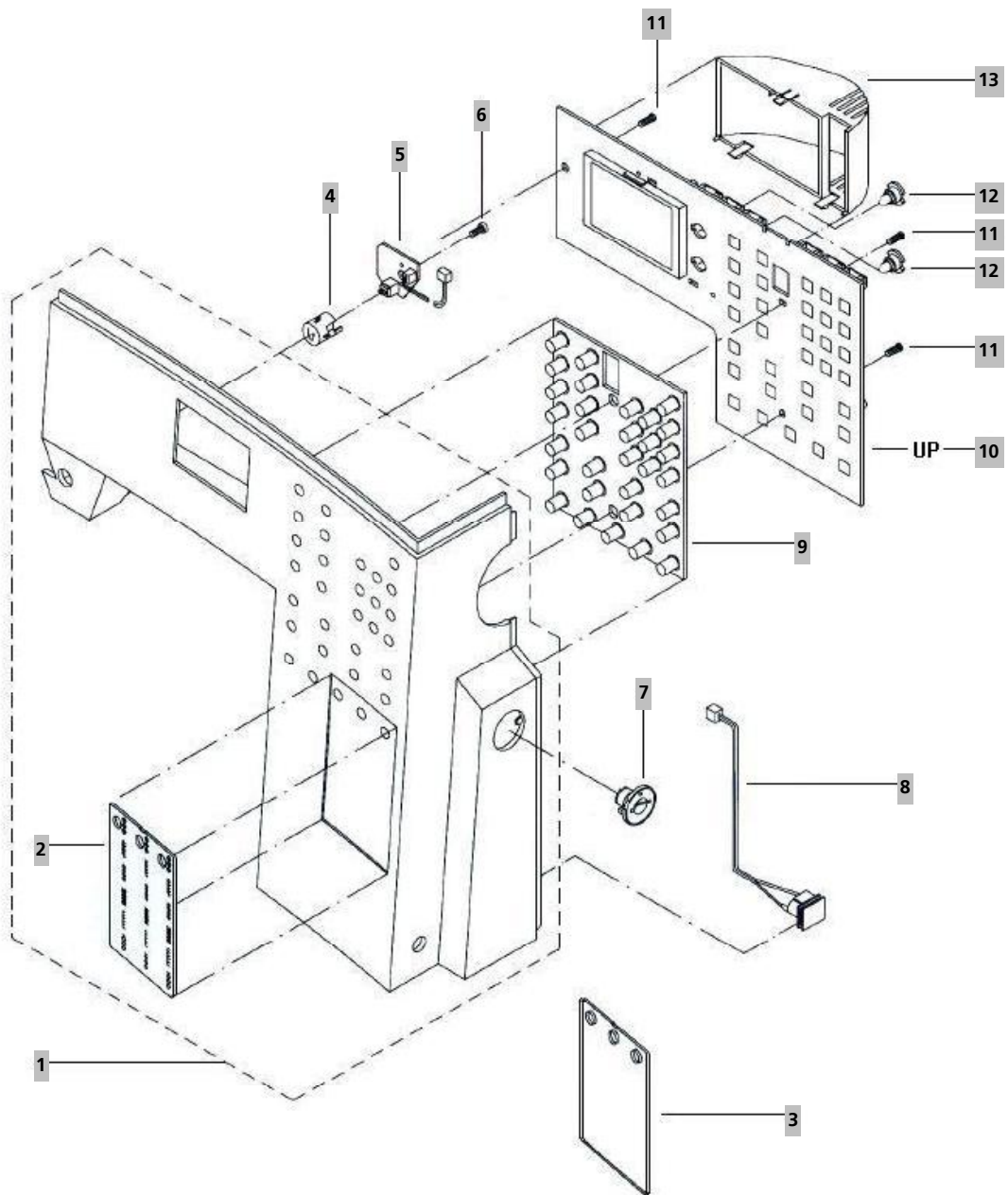
1	007776.71.03	2	007797.50.00	3	007797.50.01	4	007982.50.00	5	007986.70.00	6	002334.50.01
7	008860.71.00	8	000659.70.10	9	007782.51.00	10	000917.71.02	11	002334.50.00	12	000774.50.01
13	007795.52.00										



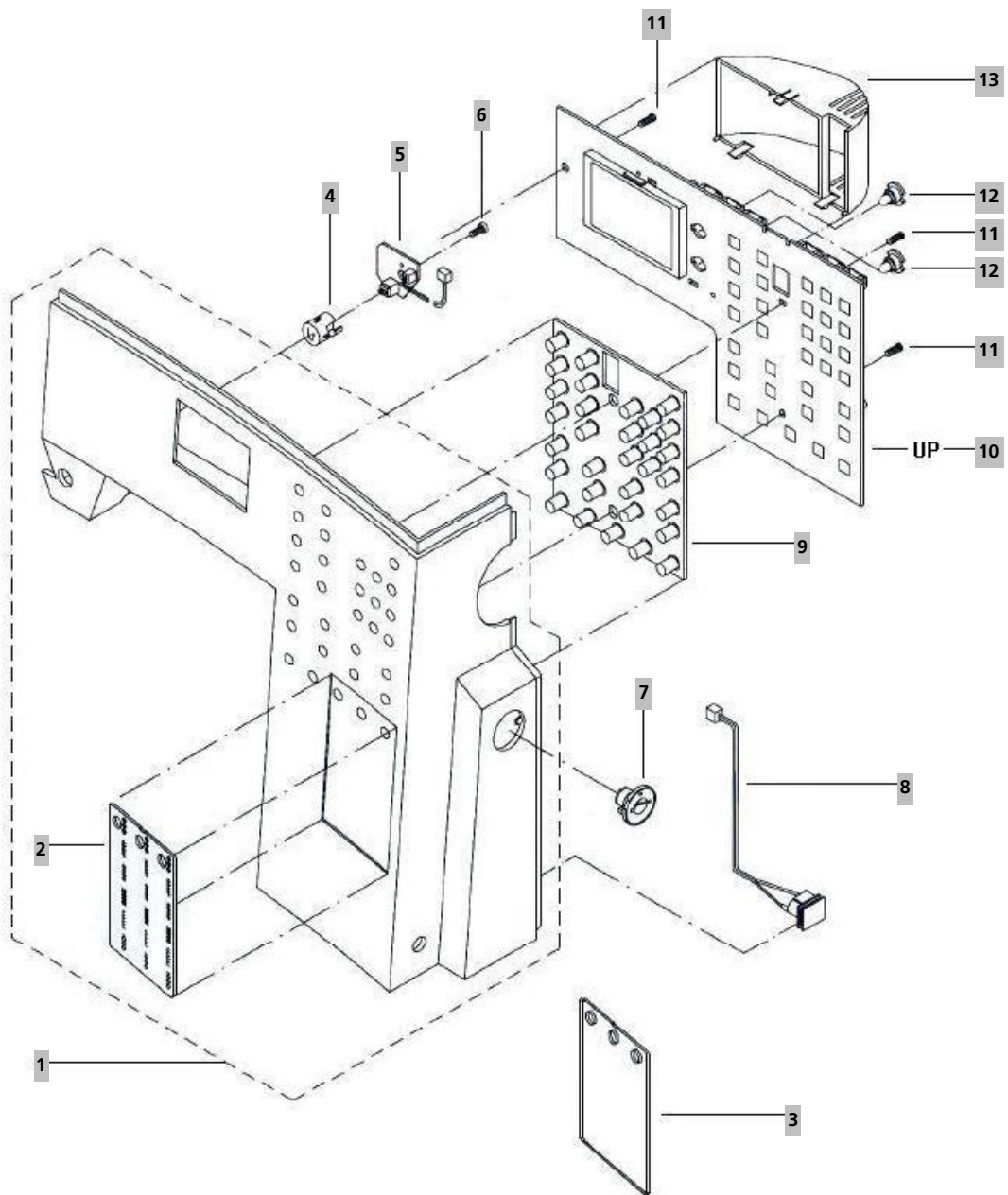
1	007776.71.04	2	007797.50.00	3	007797.50.01	4	007982.50.00	5	007986.70.00	6	002334.50.01
7	008860.71.00	8	000659.70.10	9	007782.51.00	10	000917.71.02	11	002334.50.00	12	000774.50.01
13	007795.52.00										



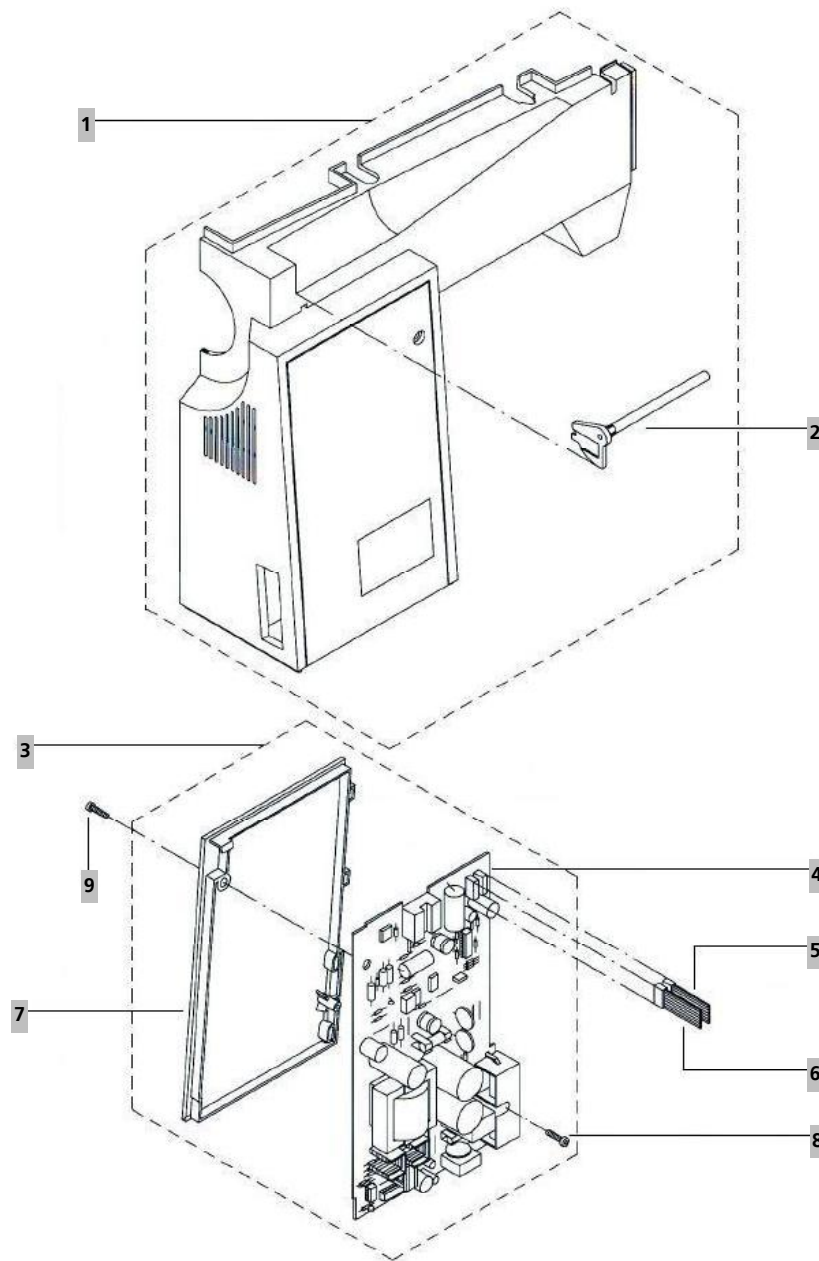
1	004823.71.02	2	007797.50.08	3	007797.50.09	4	007982.50.00	5	007986.70.00	6	002334.50.01
7	008860.71.00	8	000659.70.10	9	004824.50.00	10	015200.72.07	11	002334.50.00	12	000774.50.01
13	007795.52.00										



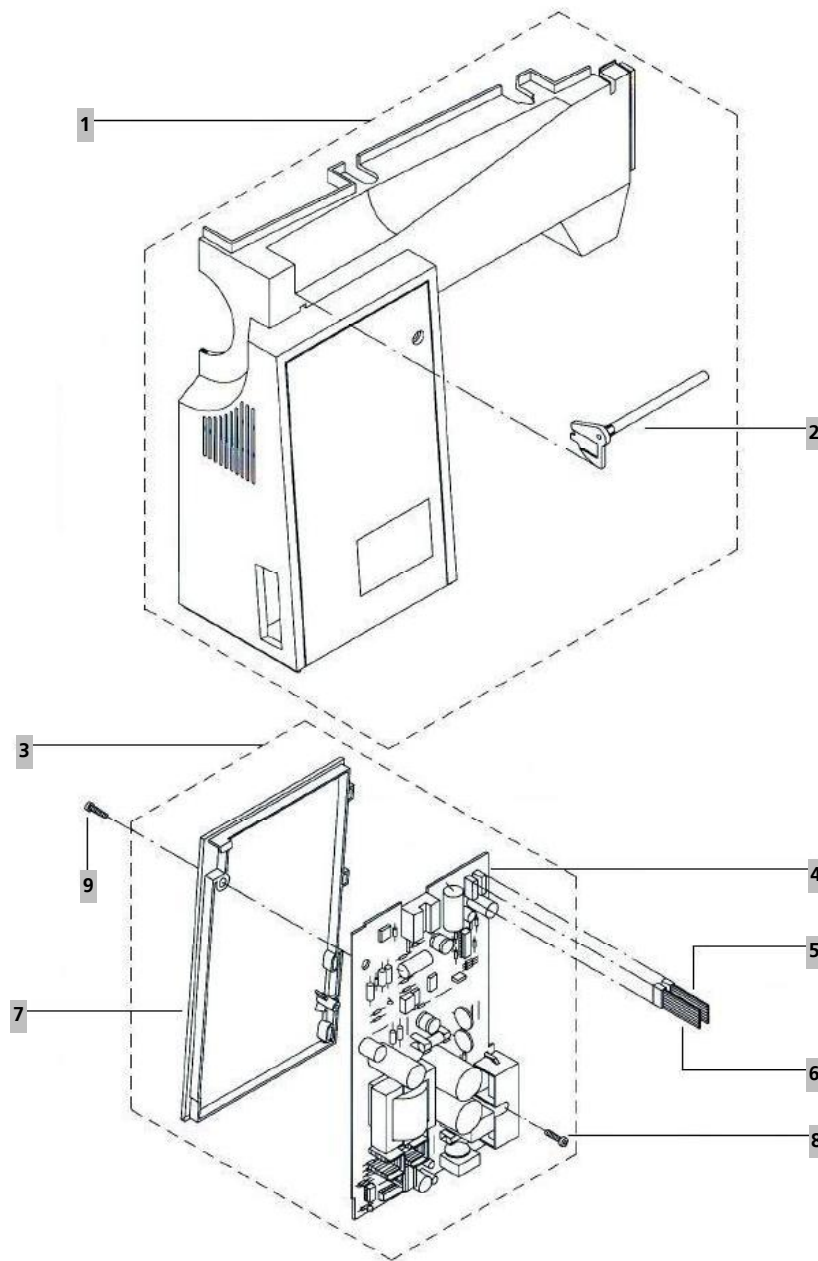
1 004823.70.03	2 007797.50.08	3 007797.50.09	4 007982.50.00	5 007986.70.00	6 002334.50.01
7 008860.71.00	8 000659.70.10	9 004824.50.00	10 015200.71.03	11 002334.50.00	12 000774.50.01
13 007795.52.00					



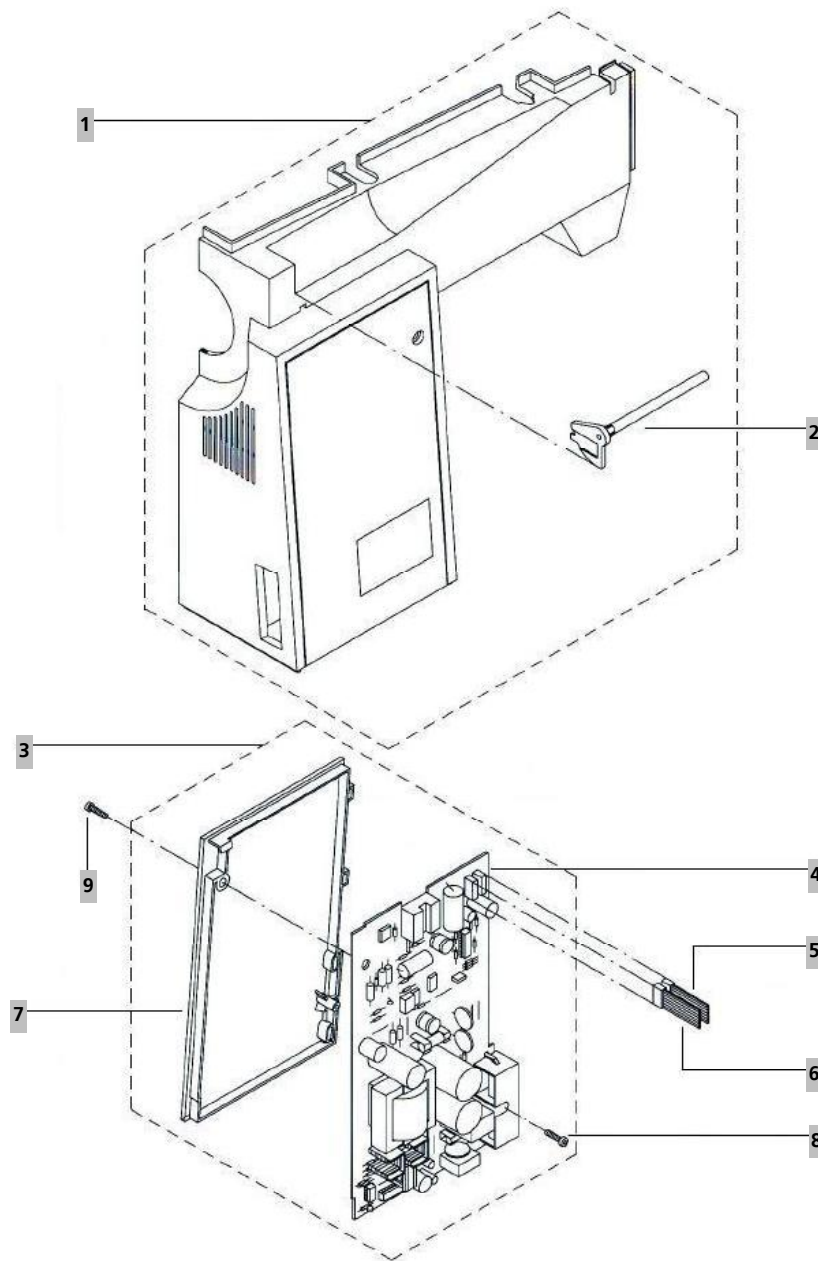
1	004823.70.04	2	007797.50.08	3	007797.50.09	4	007982.50.00	5	007986.70.00	6	002334.50.01
7	008860.71.00	8	000659.70.10	9	004824.50.00	10	015200.72.07	11	002334.50.00	12	000774.50.01
13	007795.52.00										



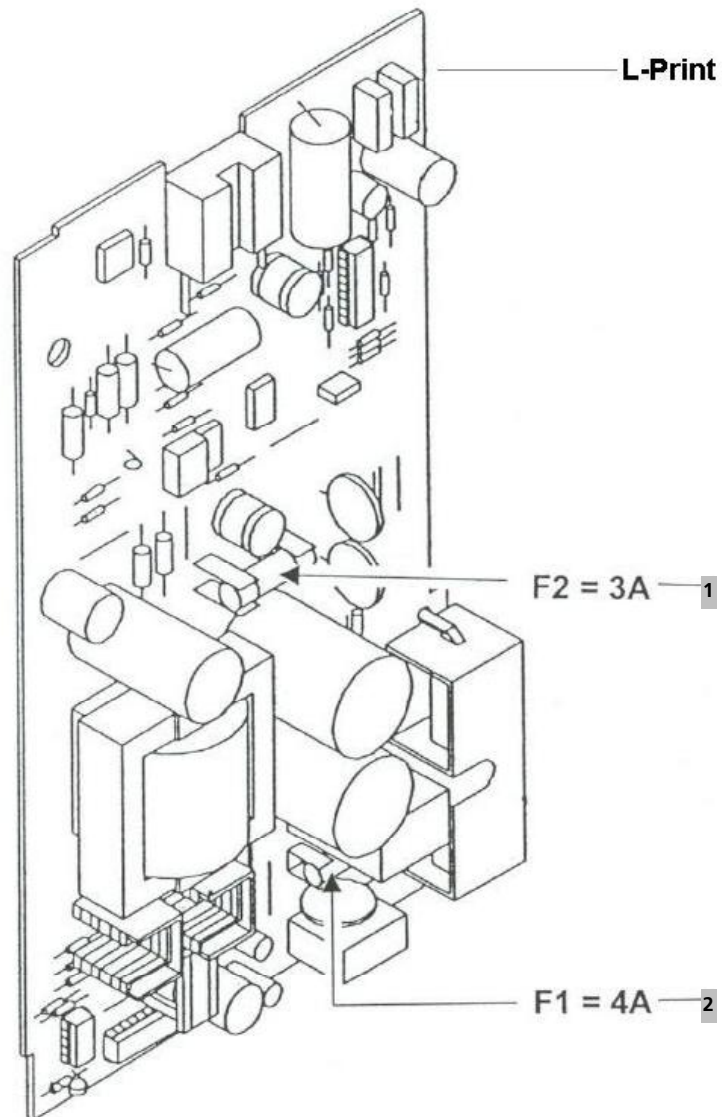
1 007907.73.00	2 007911.51.00	3 007893.70.00	4 008832.72.00	5 000659.71.12	6 000659.70.13
7 007893.51.00	8 002334.50.01	9 007886.50.49			



1 007907.73.00	2 007911.51.00	3 007893.70.01	4 008832.70.00	5 000659.71.12	6 000659.70.13
7 007893.51.00	8 002334.50.01	9 007886.50.49			

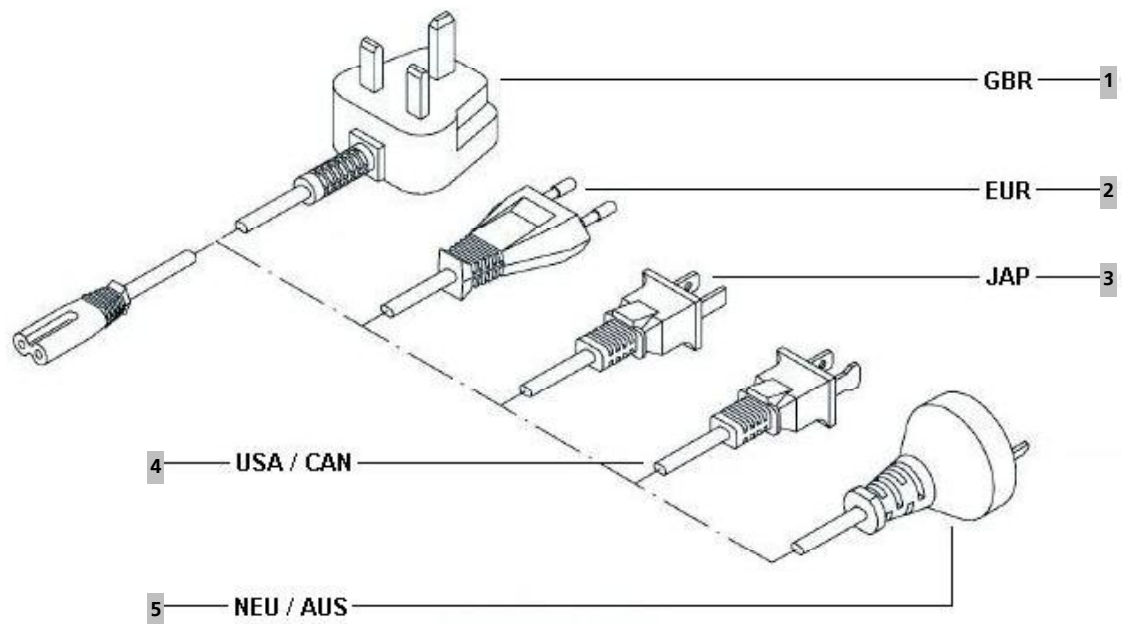


1 007907.73.00	2 007911.52.00	3 007893.72.04	4 008832.76.00	5 000659.71.12	6 000659.70.13
7 007893.51.00	8 002334.50.01	9 007886.50.49			

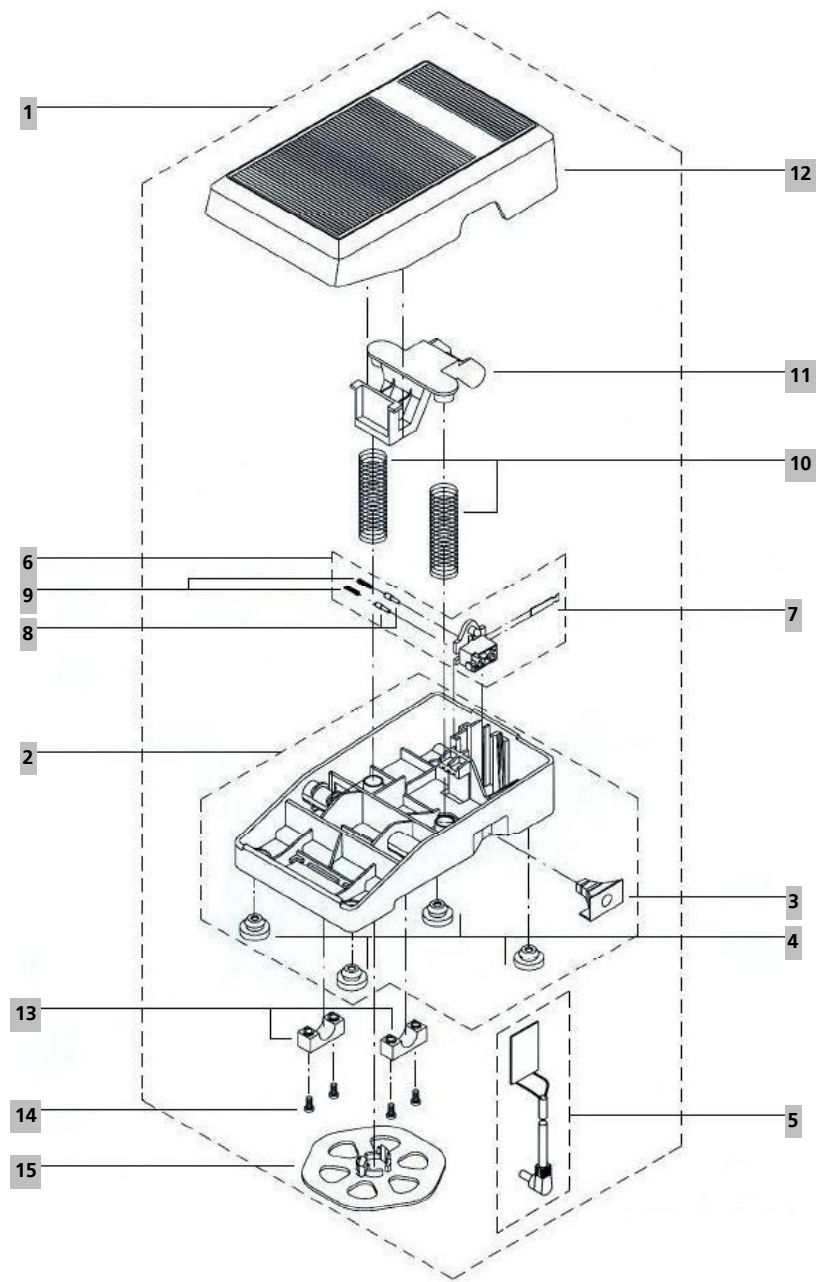


1 030379.50.00

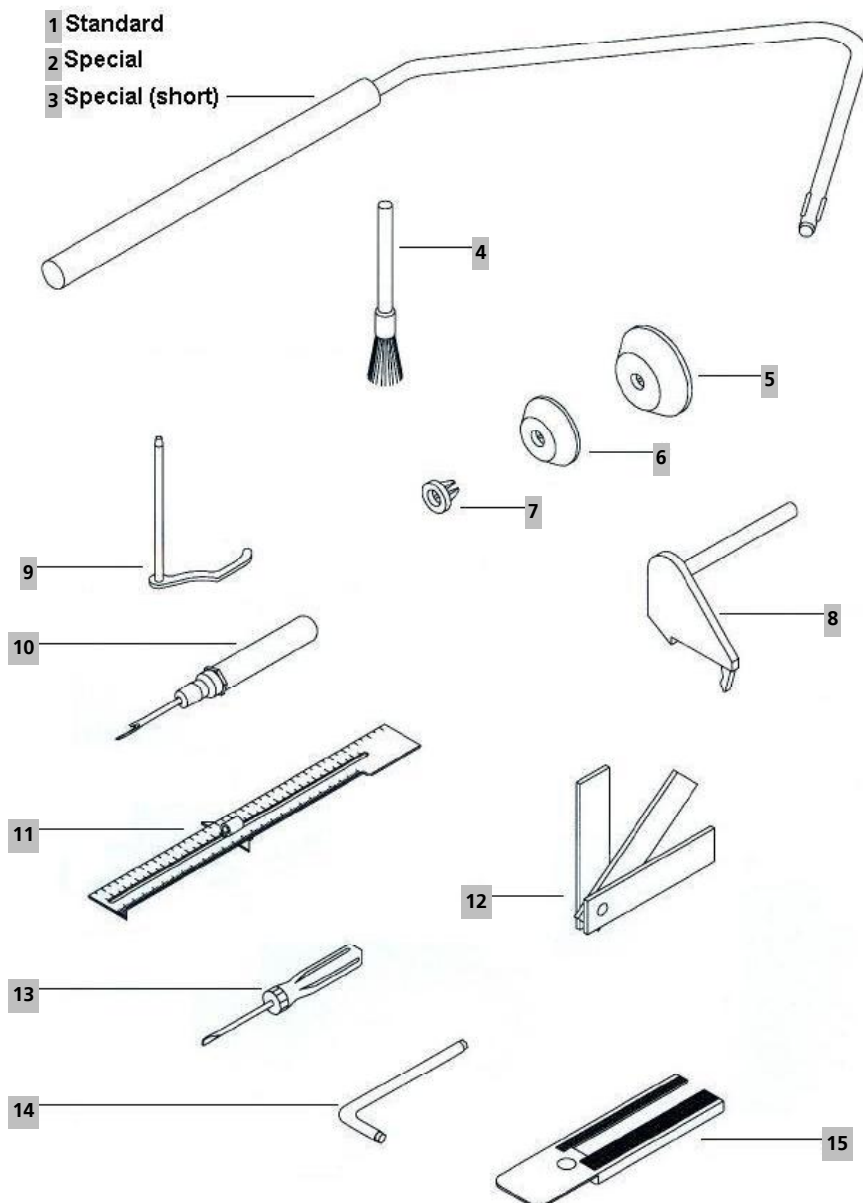
2 030380.50.00



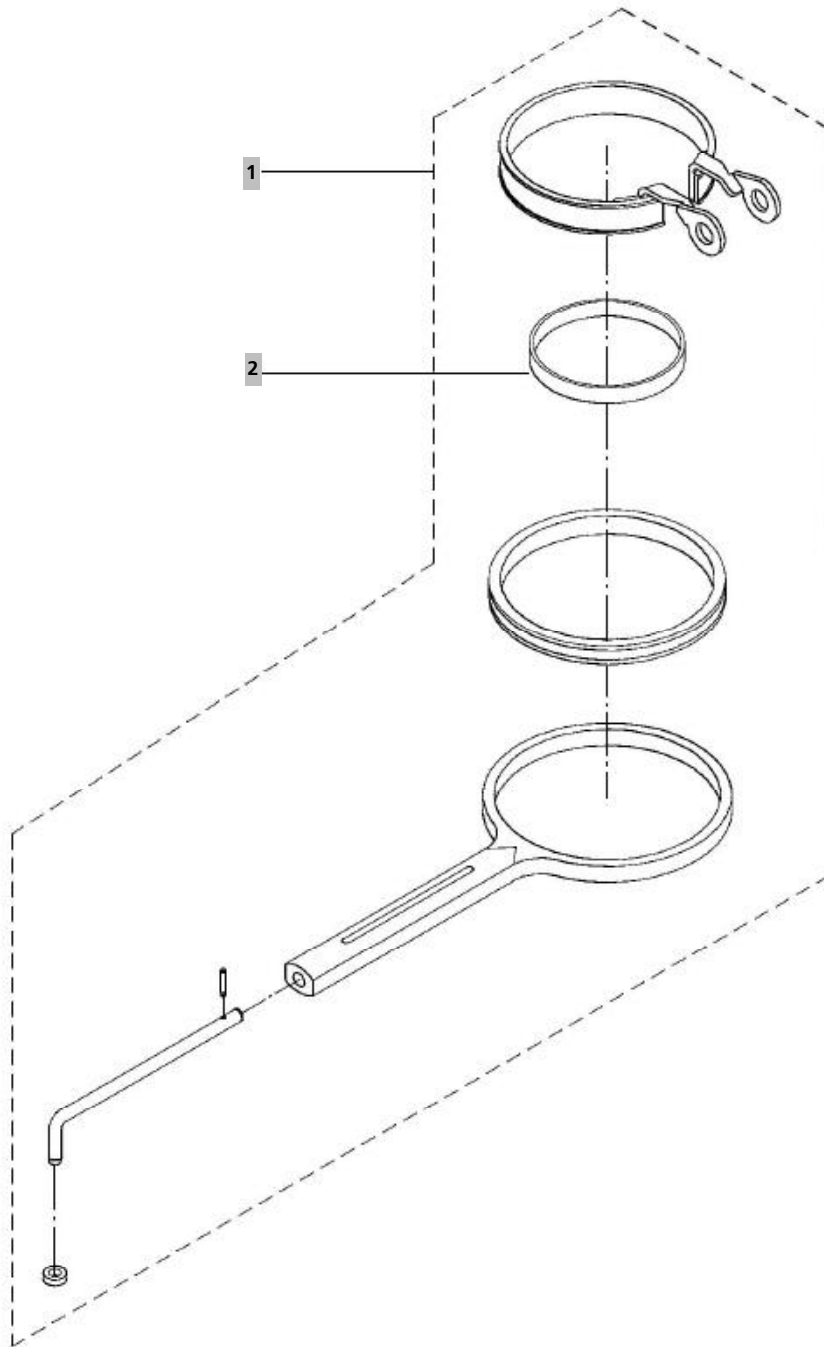
1 007928.70.01 2 007928.70.03 3 007928.70.04 4 007928.70.00 5 007928.71.02



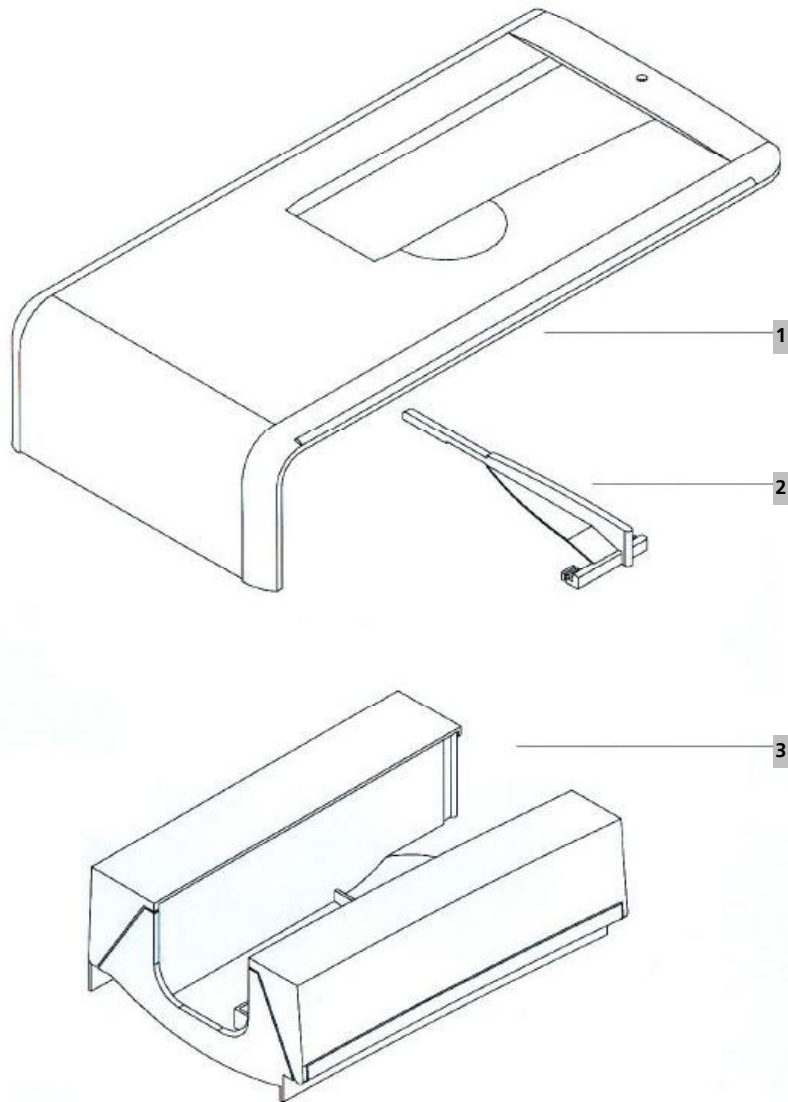
1 007988.72.01	2 002644.70.02	3 008265.50.00	4 002698.50.01	5 008295.70.00	6 002643.70.00
7 325278.03.0+	8 325355.03.1+	9 255033.03.++	10 255701.03.++	11 325371.03.0+	12 002645.71.04
13 002651.50.02	14 203023.23.++	15 007987.51.00			



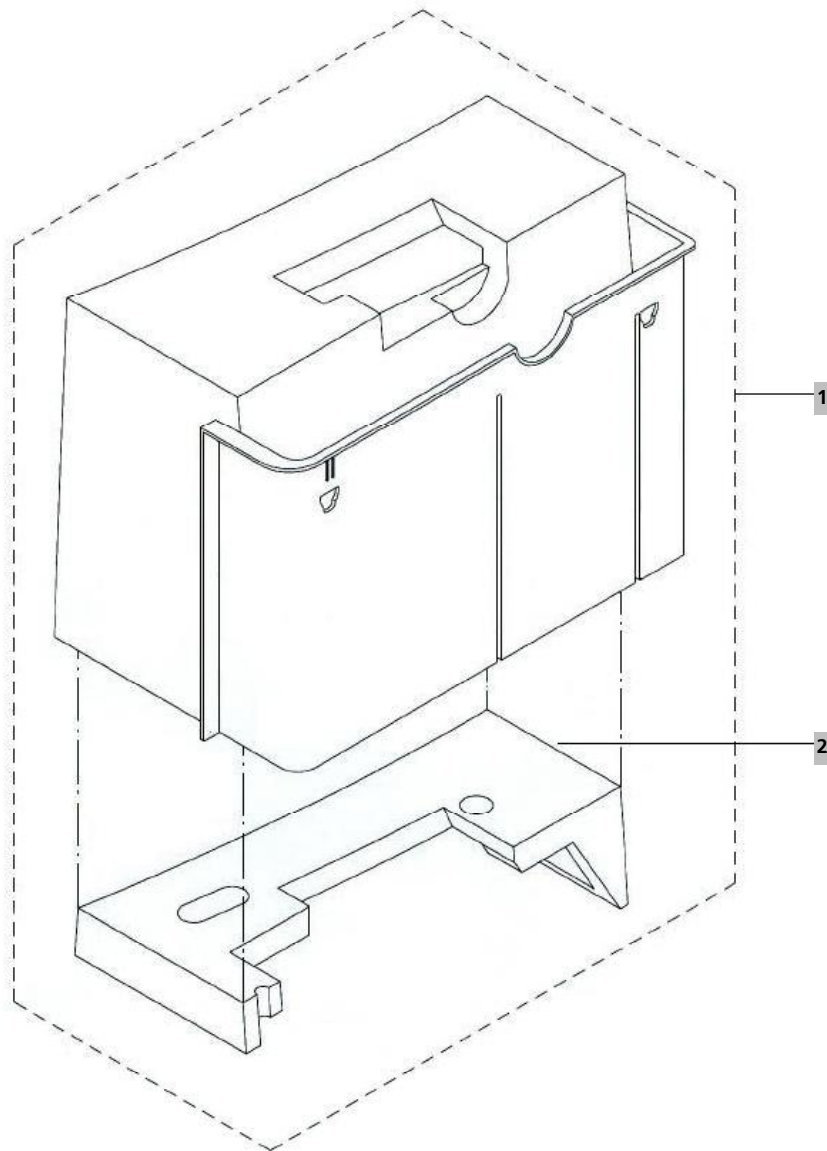
1 001635.73.00	2 001635.73.01	3 001635.73.02	4 330022.03.1+	5 007930.50.01	6 007930.50.00
7 007926.50.00	8 007912.52.00	9 001541.70.00	10 006993.51.01	11 006992.50.00	12 003260.50.00
13 330015.03.3+	14 007975.50.00	15 003008.51.00			



1 001548.71.03 2 334008.03.0+

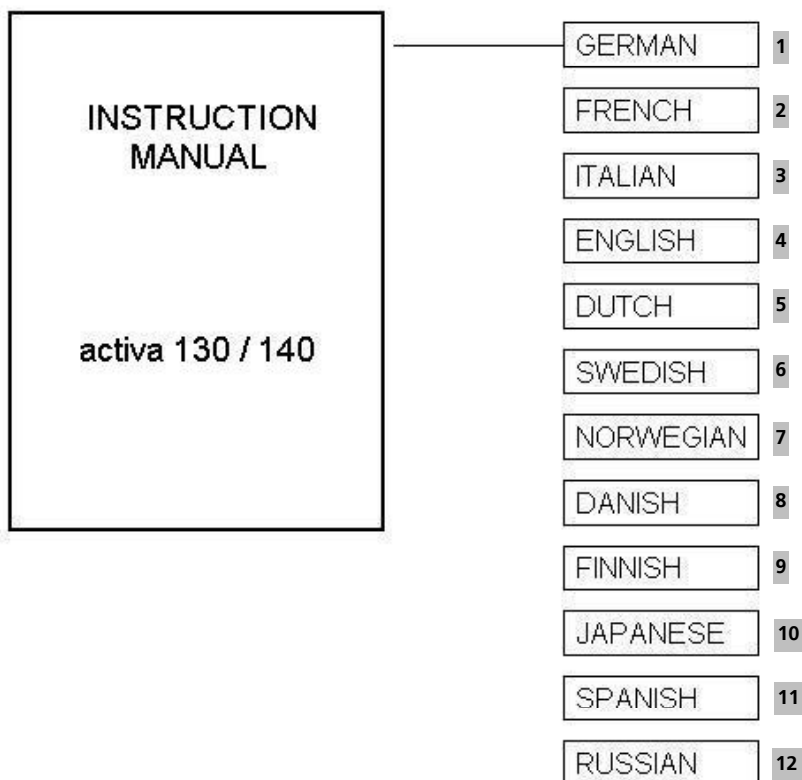


1 008868.50.00 2 007947.51.00 3 007934.71.00

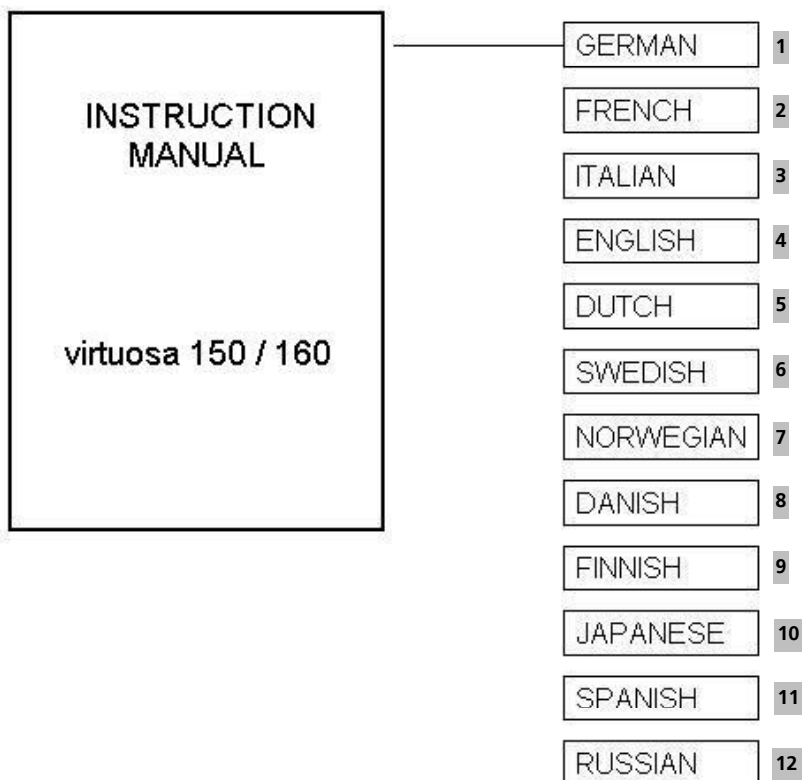


1 007923.70.00

2 008283.50.00



1 008293.74.01	2 008293.74.02	3 008293.74.03	4 008293.74.04	5 008293.74.05	6 008293.74.06
7 008293.74.07	8 008293.74.08	9 008293.74.09	10 008293.74.10	11 008293.74.11	12 008293.74.18



1 008294.74.01	2 008294.74.02	3 008294.74.03	4 008294.74.04	5 008294.74.05	6 008294.74.06
7 008294.74.07	8 008294.74.08	9 008294.74.09	10 008294.75.10	11 008294.74.11	12 008294.73.18